

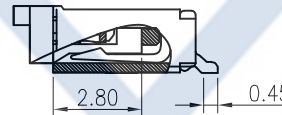
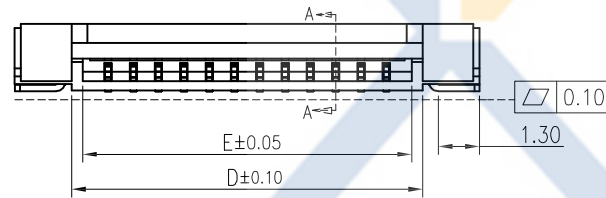
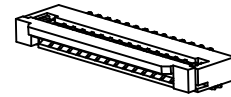
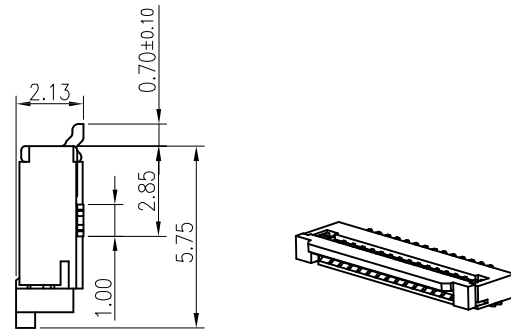
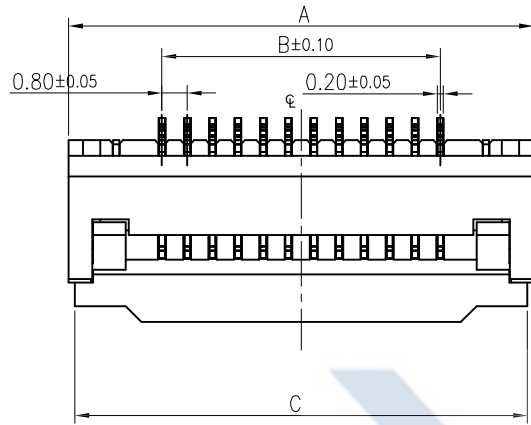
DRAWING FOR CUSTOMER

NOTES:

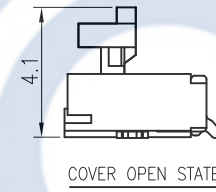
- 1.HUOSINGT:LCP HIGH-TEMP THERMOPLASTIC UL94V-0 COLOR:BEIGE
- 2.ACTUATOR:LCP HIGH-TEMP THERMOPLASTIC UL94V-0 COLOR:BLACK
- 3.TERMINAL: PHOSPHOR BRONZE
PLATING:GOLD FLASH OR MATTE-TIN OR TIN (LEAD FREE)
- 4.FITTING NAIL: BRASS
PLATING:MATTE-TIN OR TIN (LEAD FREE)

KBF805-XX X S R 200 L 2 A

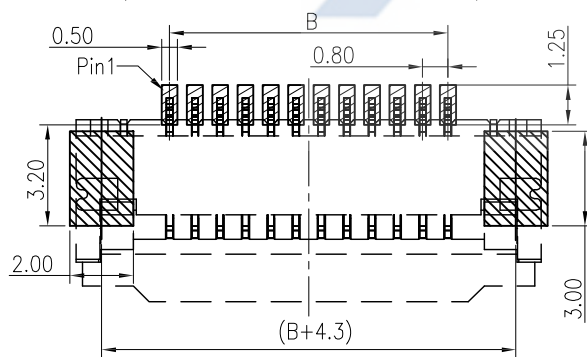
Pin No.	X	S	R	200	L	2	A	Version
包装方式:								Mold No.
T:TUBE (管装)								Connects Type:U:Upper
R:REEL (卷装)								L:Lower
P: PE (袋装)								R:Right
								F:Left
								D:Double
S:SMT								H厚度: 1.0mm=100
R:Right Angle								1.2mm=120
V:Vertical								1.5mm=150
								2.0mm=200



CABLE INSERT DIM.
SECTION: A-A

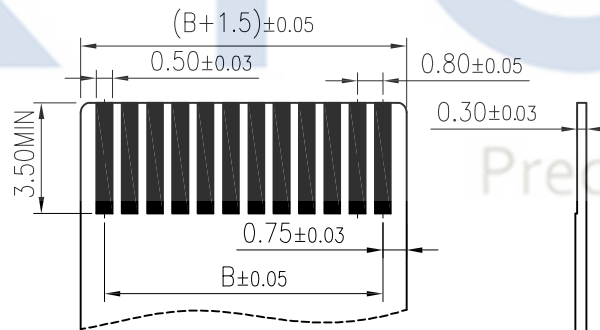


COVER OPEN STATE



RECOMMENDED PCB PATTERN DIM.

TOLERANCE : ±0.05



RECOMMENDED FFC SIZE

PIN	A	B	C	D	E
04	8.3	2.4	7.9	4.7	4.0
05	9.1	3.2	8.7	5.5	4.8
06	9.9	4.0	9.5	6.3	5.6
07	10.7	4.8	10.3	7.1	6.4
08	11.5	5.6	11.1	7.9	7.2
09	12.3	6.4	11.9	8.7	8.0
10	13.1	7.2	12.7	9.5	8.8
11	13.9	8.0	13.5	10.3	9.6
12	14.7	8.8	14.3	11.1	10.4
13	15.5	9.6	15.1	11.9	11.2
14	16.3	10.4	15.9	12.7	12.0
15	17.1	11.2	16.7	13.5	12.8
16	17.9	12.0	17.5	14.3	13.6
17	18.7	12.8	18.3	15.1	14.4
18	19.5	13.6	19.1	15.9	15.2
19	20.3	14.4	19.9	16.7	16.0
20	21.1	15.2	20.7	17.5	16.8
21	21.9	16.0	21.5	18.3	17.6
22	22.7	16.8	22.3	19.1	18.4
23	23.5	17.6	23.1	19.9	19.2
24	24.3	18.4	23.9	20.7	20.0
25	25.1	19.2	24.7	21.5	20.8
26	25.9	20.0	25.5	22.3	21.6
27	26.7	20.8	26.3	23.1	22.4
28	27.5	21.6	27.1	23.9	23.2
29	28.3	22.4	27.9	24.7	24.0
30	29.1	23.2	28.7	25.5	24.8
31	29.9	24.0	29.5	26.3	25.6
32	30.7	24.8	30.3	27.1	26.4
33	31.5	25.6	31.1	27.9	27.2
34	32.3	26.4	31.9	28.7	28.0
35	33.1	27.2	32.7	29.5	28.8
36	33.9	28.0	33.5	30.3	29.6

XYCO PRECISION CONNECTORS

TEL: 0769-8297 9981/2/3 <http://www.XYCO.com.cn>

2015-07-18		A	KBF805-XXXSR200L2A		Devin	KBF805-XXXSR200L2A		UNIT		mm	PRODUCT NAME	0.8 ZIF FPC SMT R/A B/C
DATE	日期	VER	版本	CHANGE HISTORY	變更歷史	CHANGED NAME	修改後料號	DRAWING	變更者			
					TOLERANCE	DRAWING	Devin	PART NO.		料號		
					公差	設計者	Thomas	DWG NO.		圖號		
					.X=±0.30	CHECKED	William	PE1904012A				
					.XX=±0.20	審查						
					.XXX=±0.10	APPROVED						
					核准							