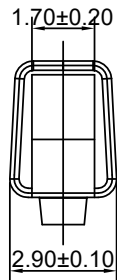
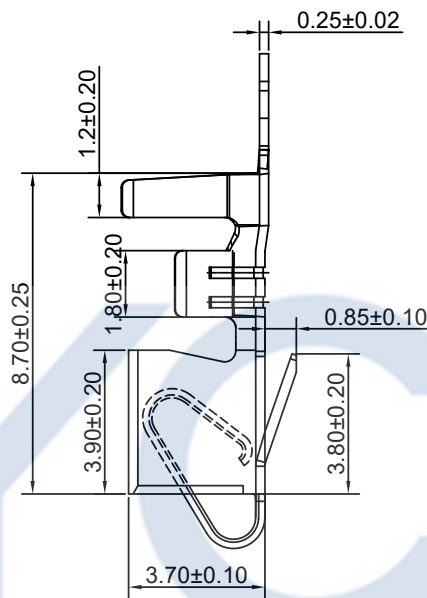
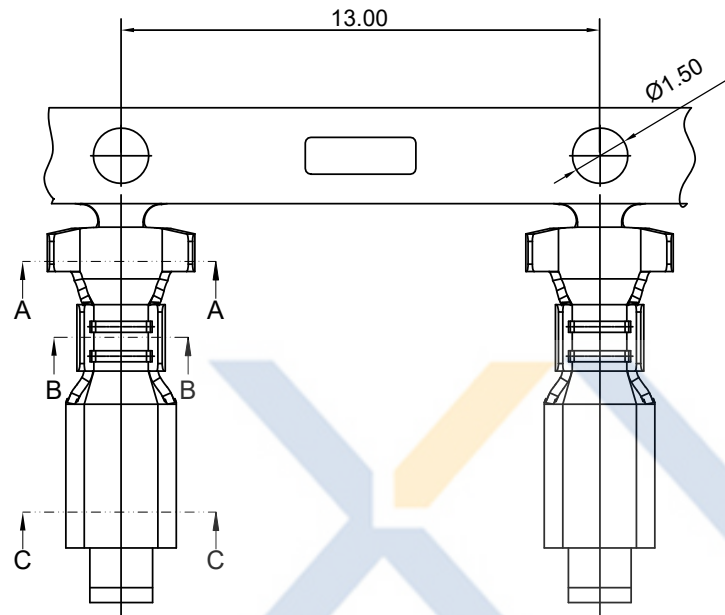
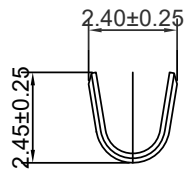


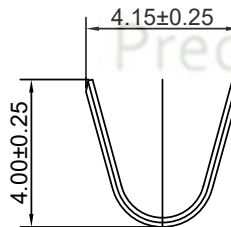
# DRAWING FOR CUSTOMER



Section:C-C



Section:B-B



Section:A-A

■SPEC.:

- Rated Voltage:250V AC,DC
- Rated Current:7A AC,DC
- Withstand Voltage:1500V AC/minute
- Contact Resistance:10mΩ max
- Insulation Resistance:1000MΩ min
- Temperature Range:-25℃~+85℃

■Terminal:

- Material: Phosphor Bronze
- Finish: Tin-plated;over Nickel
- Applicable wire:AWG#18~22
- QTY.:3.5KPCS/Reel

KB962-XXT6A

- 1:All plated  
2:Half plated  
Plating  
0: Tin-plat  
1: Gold Flash  
2: Gold Plat3u"  
3: Gold Plat5u"

- Version  
Mold No.  
Terminal

**XYCO** 东莞市轩业电子科技有限公司  
TEL: 0769-8297 9981/2/3 <http://www.XYCO.com.cn>

2013-07-30	A	CHANGE HISTORY 變更歷史	KB962-XXT6A	Devin	TOLERANCE 公差	DRAWING 設計者	Devin	KB962-XXT6A			
DATE 日期	VER 版本				CHANGED NAME 修改後料號	DRAWING 變更者	.X=±0.30 .XX=±0.20 .XXX=±0.10	CHECKED 審查	Thomas	PART NO. 料號	UNIT 單位
							APPROVED 核准	William	DWG NO. 圖號	PE220202A	mm

mm	VH PH3.96mm Wire To Board
Terminal	Terminal