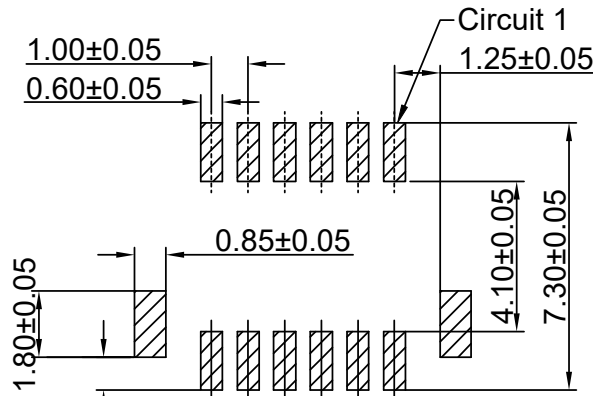
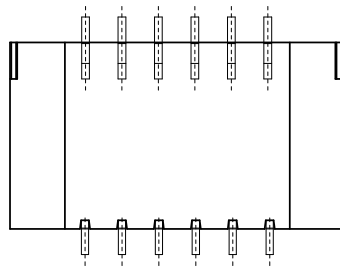
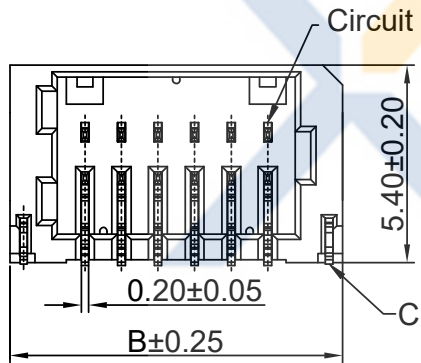
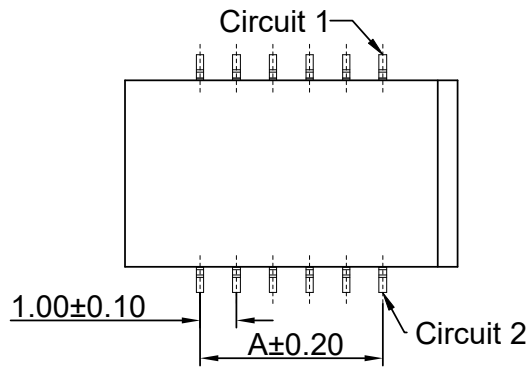
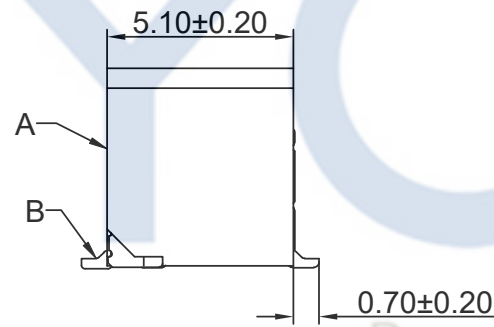


DRAWING OF FINISHED PRODUCT



Recommended PCB Layout
PCB TOLERANCE ±0.05



- SPEC.:
- Rated Voltage: 50V AC,DC
 - Rated Current: 1A AC,DC
 - Withstand Voltage: 500V AC/minute
 - Contact Resistance: 20mΩ max
 - Insulation Resistance: 100MΩ min
 - Temperature Range: -25°C~+85°C

- Material:
- Insulator(A):P3-PA6T UL94V-0
C1-LCP UL94V-0
 - Color: BGE-Beige
 - Contact Pin(B):Phosphor Bronze
 - Finish:Gold flash,over Nickel
 - Solder Tab(C):Brass
 - Finish:Gold flash,over Nickel

KB901-D XX X S R G 5 A -XX-BGE

Double row
Pin No.

T: TUBE 管装
R: REEL 卷装
P: PE 袋装

D: DIP
S: SMT

Color
Material
Version
Mold No.
G: Gold flash Plated
S: Sn-Plated
R: Right Angle
V: Vertical

Poles	Dimensions (mm)	
	A	B
2X04	3.0	7.10
2X05	4.0	8.10
2X06	5.0	9.10
2X08	7.0	11.10
2X10	9.0	13.10
2X15	14.0	18.10
2X20	19.0	23.10

XYCO 东莞市轩业电子科技有限公司
TEL: 0769-8297 9981/2/3 <http://www.XYCO.com.cn>

DATE 日期	VER 版本	CHANGE HISTORY 變更歷史	CHANGED NAME 修改後料號	DRAWING 變更者	TOLERANCE 公差	DRAWING 設計者	Devin	KB901-DXXXSRG5A-XX-BGE
2019-12-05	A		KB901-DXXXSRG5A-XX-BGE	Devin	.X=±0.30 .XX=±0.20 .XXX=±0.10	CHECKED 審查	Thomas	PART NO. 料號
						APPROVED 核准	William	DWG NO. 圖號 PE191208A

UNIT 單位	mm	PRODUCT NAME 產品名稱	SHDR PH1.00mm Wire To Board SMT Right Angle Wafer