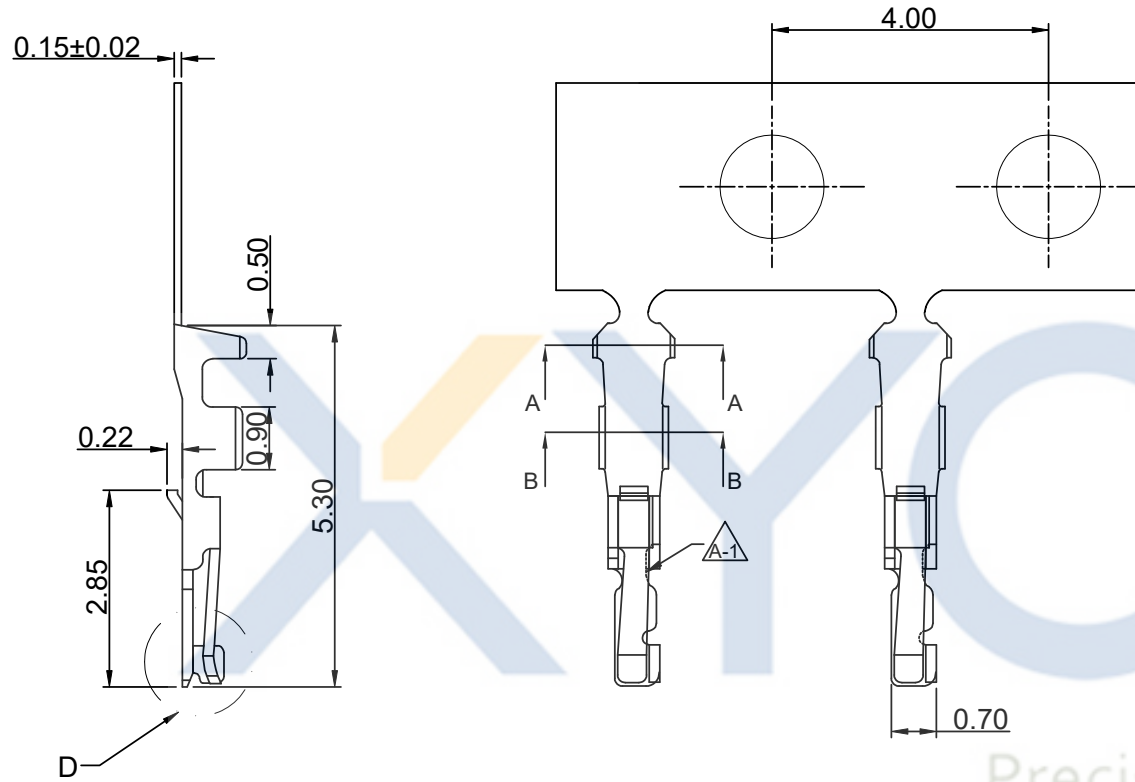


# DRAWING FOR CUSTOMER



- SPEC.:
- Rated Voltage:100V AC,DC
  - Rated Current:1A AC,DC
  - Withstand Voltage:300V AC/minute
  - Contact Resistance:30mΩ max
  - Insulation Resistance:500MΩ min
  - Temperature Range:-35℃~+85℃

- Terminal:
- Material:Phosphor Bronze C5191
  - Finish:Gold plated ,over Nickel
  - Applicable wire:AWG#28~32
  - QTY.:30KPCS/Plate

KB906-XXXT2A

- 1:All plated  
2:Half plated

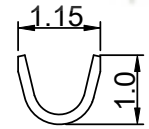
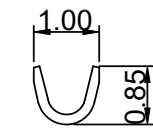
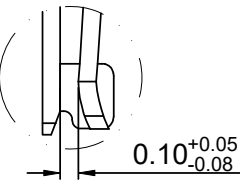
Plating

- 0:Tin-plated  
1:Gold Flash  
2:Gold Plat 3u"  
3:Gold Plat 5u"

Version

Mold No.

Terminal



**XYCO** 东莞市轩业电子科技有限公司  
TEL: 0769-8297 9981/2/3 http://www.XYCO.com.cn

2020-06-21	A-1	产品优化	KB906-XXT2A	Devin	TOLERANCE 公差	DRAWING 設計者	Devin	KB906-XXT2A	
2020-05-25	A	新模; 结构优化	KB906-XXT2A	Devin	.X=±0.30 .XX=±0.20 .XXX=±0.10	CHECKED 審查	Thomas	PART NO. 料號	
DATE 日期	VER 版本	CHANGE HISTORY 變更歷史	CHANGED NAME 修改後料號	DRAWING 變更者		APPROVED 核准	William	DWG NO. 圖號	PE1708008A

UNIT 單位	mm	PRODUCT NAME 產品名稱	DF19 PH1.0mm Wire To Board Terminal
------------	----	----------------------	----------------------------------------