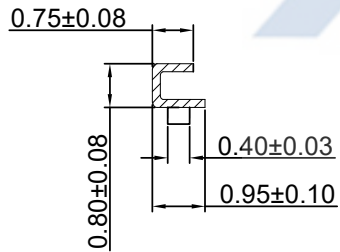
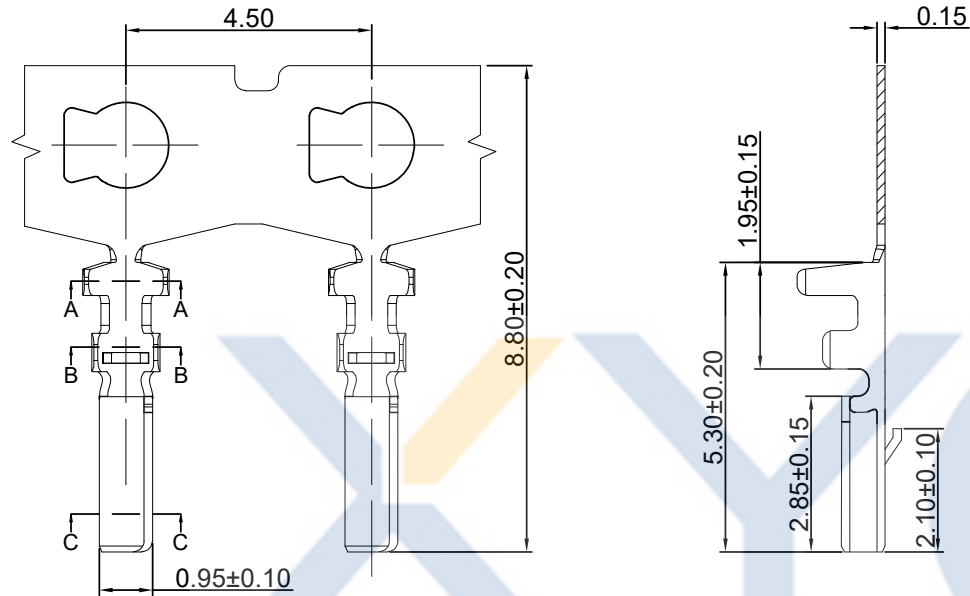
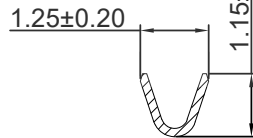


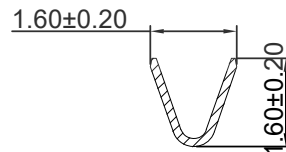
# DRAWING FOR CUSTOMER



Section:C-C



Section:B-B



Section:A-A

- SPEC.:
- Rated Voltage:200V AC,DC
- Rated Current:1.5A AC,DC
- Withstand Voltage:1000V AC/minute
- Contact Resistance:20mΩ max
- Insulation Resistance:1000MΩ min
- Temperature Range:-25℃~+85℃

- Terminal:
- Material:Phosphor Bronze
- Finish:Gold/Tin-plated,over Nickel
- Applicable wire:AWG#26~28
- QTY.:15KPCS/Reel

KB9110-XX T 6 A

- 1:All plated
- 2:Half plated

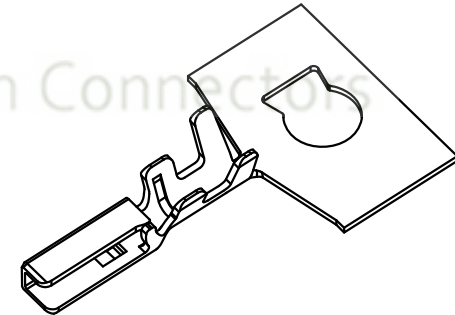
Plating

- 0: Tin-plated
- 1: Gold Flash
- 2: Gold Plated3u"
- 3: Gold Plated5u"

Version

Mold No.

Terminal



**XYCO** 东莞市轩业电子科技有限公司  
 TEL: 0769-8297 9981/2/3 <http://www.XYCO.com.cn>

				TOLERANCE 公差		DRAWING 設計者		Devin		KB9110-XXT6A						
2015-6-18	A	CHANGE HISTORY 變更歷史	KB9110-XXT6A	Devin	.X=±0.30	CHECKED 審查	Thomas	PART NO. 料號		UNIT 單位	mm	PRODUCT NAME 產品名稱	104521 PH1.25mm Wire To Board			
DATE 日期	VER 版本				.XX=±0.20	APPROVED 核准	William	DWG NO. 圖號	PE1803013A	Terminal						
					.XXX=±0.10											