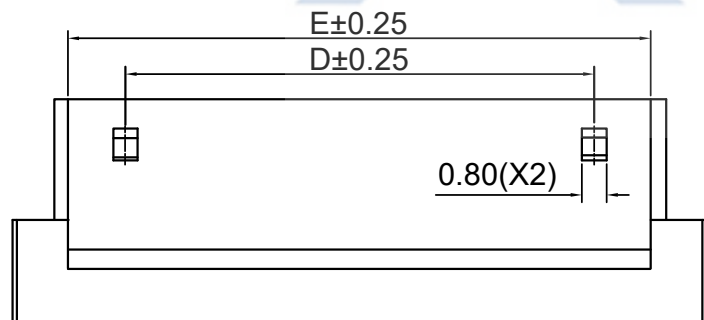
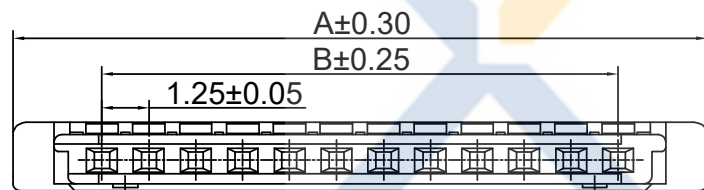
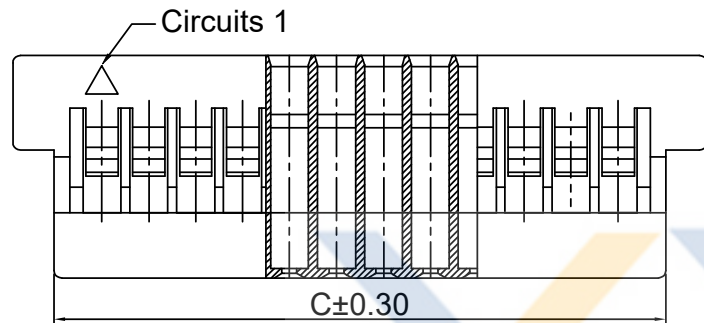
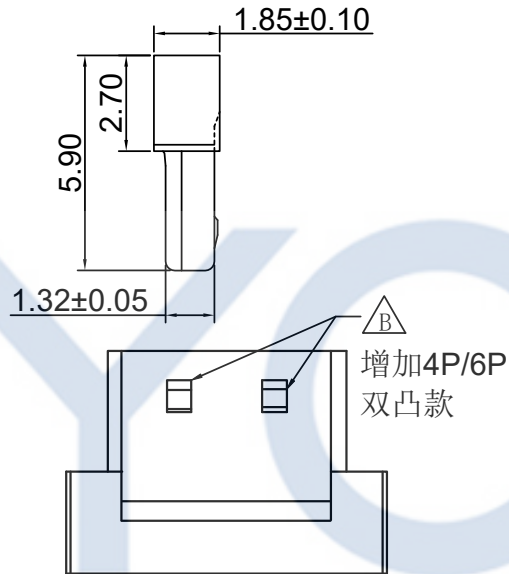


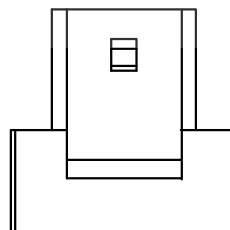
# DRAWING FOR CUSTOMER



07~30  
双凸  
KB913-XXH6A-XX-X



4P&6P 双凸  
KB913-XXH6B-XX



02~06  
单凸  
KB913-XXH6A-XX

- SPEC.:
- Rated Voltage:200V AC,DC
  - Rated Current:1A AC,DC
  - Withstand Voltage:500V AC/minute
  - Contact Resistance:40mΩ max
  - Insulation Resistance:100MΩ min
  - Temperature Range:-25℃~+85℃

- Material:
- Insulator:PA66 UL94-V0
  - Color:BK-(Black)

KB913-X X H 6 X-XX

Pin No.  
Housing  
Mold No.      Color  
Version

Poles	Dimensions(mm)				
	A	B	C	D	E
02	6.00	1.25	3.80		3.20
03	7.25	2.50	5.05		4.45
04单凸	8.50	3.75	6.30		5.70
04双凸	8.50	3.75	6.30	2.52	5.70
05	9.75	5.00	7.55		6.95
06单凸	11.00	6.25	8.80		8.20
06双凸	11.00	6.25	8.80	5.04	8.20
08	13.50	8.75	11.30	7.58	10.70
10	16.00	11.25	13.80	10.10	13.20
15	22.25	17.50	20.05	16.38	19.45
20	28.50	23.75	26.30	22.70	25.70
25	34.75	30.00	32.55	28.95	31.95
30	41.00	36.25	38.80	35.25	38.20

**XYCO** 东莞市轩业电子科技有限公司  
TEL: 0769-8297 9981/2/3 http://www.XYCO.com.cn

2021-05-09	B	增加4P&6P双凸	KB913-XXH6B-XX	Devin	TOLERANCE 公差	DRAWING 設計者	Devin	KB913-XXH6X-XX
2016-08-30	A		KB913-XXH6A-XX	Devin	.X±0.30 .XX±0.20 .XXX±0.10	CHECKED 審查	Thomas	PART NO. 料號
DATE 日期	VER 版本	CHANGE HISTORY 變更歷史	CHANGED NAME 修改後料號	DRAWING 變更者		APPROVED 核准	William	DWG NO. 圖號

UNIT 單位	mm	PRODUCT NAME 產品名稱	FI-S PH1.25mm Wire To Board Housing
PE191003A			