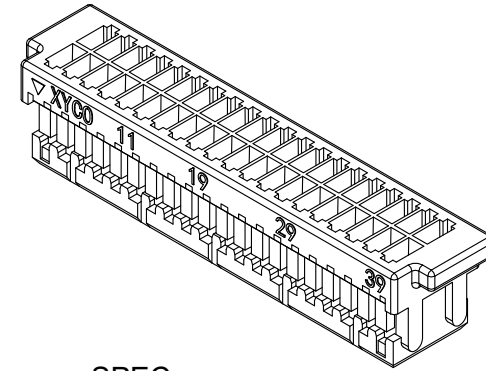


# DRAWING FOR CUSTOMER



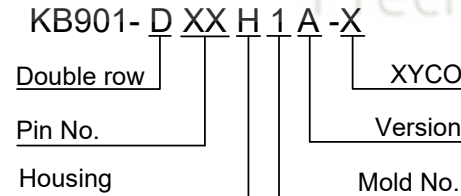
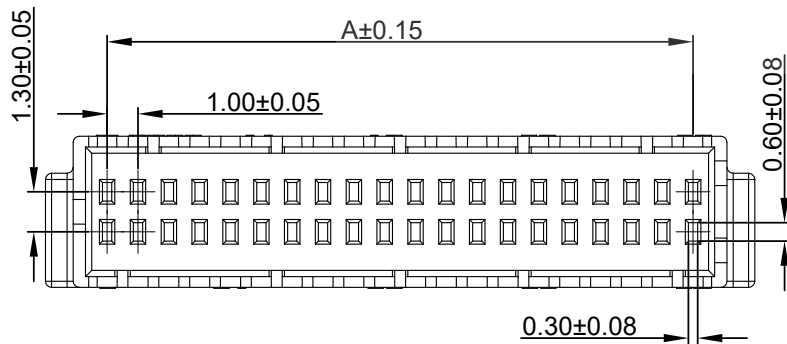
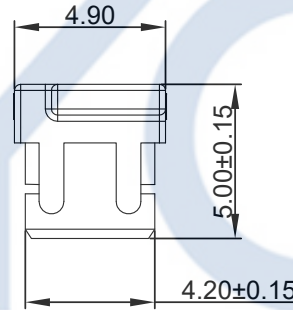
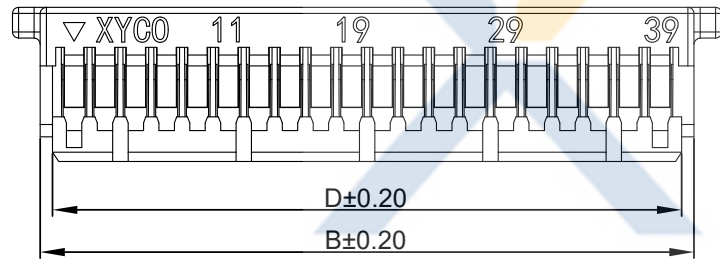
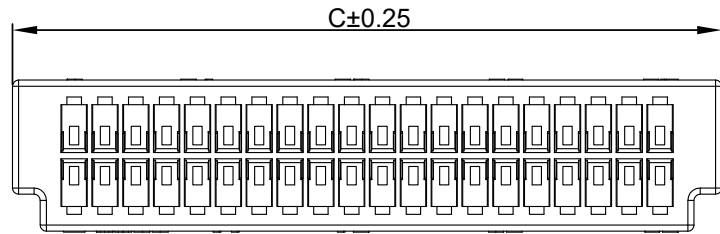
■SPEC.:

- Rated Voltage: 50V AC,DC
- Rated Current: 1A
- Withstand Voltage: 500V AC/minute
- Contact Resistance: 20mΩ max
- Insulation Resistance: 100MΩ min
- Temperature Range: -25°C~+85°C

■Material:

- Insulator:KB901- DXXH1A-X (PBT UL94V-0)
- KB901- DXXH1A-HF-X (PA66 UL94V-0)

Color: White



Poles	Dimensions (mm)			
	A	B	C	D
2X04	3.00	5.20	7.00	4.40
2X05	4.00	6.20	8.00	5.40
2X06	5.00	7.20	9.00	6.40
2X08	7.00	9.20	11.00	8.40
2X10	9.00	11.20	13.00	10.40
2X12	11.00	13.20	15.00	12.40
2X15	14.00	16.20	18.00	15.40
2X20	19.00	21.20	23.00	20.40
2X25	24.00	26.20	28.00	25.40

**XYCO** 东莞市轩业电子科技有限公司  
 TEL: 0769-8297 9981/2/3 <http://www.XYCO.com.cn>

2012-03-19		A	KB901-DXXH1A-X		Devin	TOLERANCE 公差	DRAWING 設計者	Devin	KB901-DXXH1A-X	
DATE 日期	VER 版本	CHANGE HISTORY 變更歷史	CHANGED NAME 修改後料號	DRAWING 變更者		.X±0.30 .XX±0.20 .XXX±0.10	CHECKED 審查	Thomas	PART NO. 料號	UNIT 單位
							APPROVED 核准	William	DWG NO. 圖號	mm
									PE2005A	PRODUCT NAME 產品名稱

SHDR PH1.00mm Wire To Board	
double row Housing	