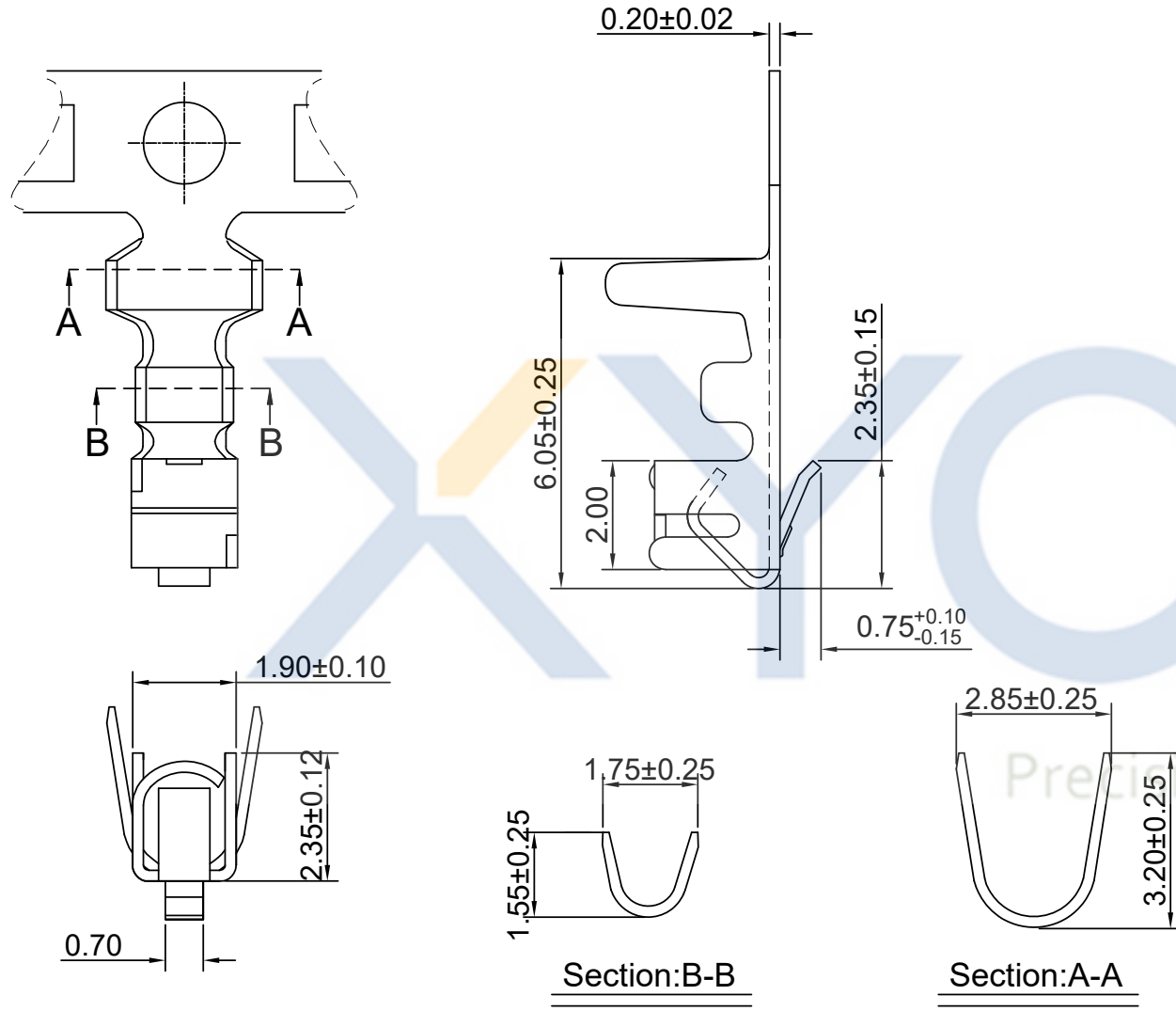


DRAWING FOR CUSTOMER



- SPEC.:
- Rated Voltage:250V AC,DC
- Rated Current:3A AC,DC
- Withstand Voltage:1000V AC/minute
- Contact Resistance:20mΩ max
- Insulation Resistance:1000MΩ min
- Temperature Range:-25°C~+85°C

- Terminal:
- Material: Brass/Phosphor Bronze
- Finish: Tin-plated,over Nickel
- Applicable wire:AWG#22~#28
- QTY.:10KPCS/Reel

KB952-XXT2A

- 1:All plated
- 2:Half plated

Plating

- 0: Tin-plat
- 1: Gold Flash
- 2: Gold Plat3 u"
- 3: Gold Plat5 u"

Version

Mold No.

Terminal

XYCO 东莞市轩业电子科技有限公司
 TEL: 0769-8297 9981/2/3 <http://www.XYCO.com.cn>

2014-08-18		A			KB952-10T2A	Devin	KB952-XXT2A		UNIT		PRODUCT NAME		XH PH2.50mm Wire To Board	
DATE	VER	CHANGE HISTORY	CHANGED NAME	DRAWING	TOLERANCE	DRAWING	CHECKED	PART NO.	料號	單位	mm	產品名稱	Terminal	
日期	版本	變更歷史	修改後料號	變更者	.X=±0.30 .XX=±0.20 .XXX=±0.10	設計者	審查	DWG NO.	圖號	mm				
						Devin	Thomas	PE4802A						
						William								