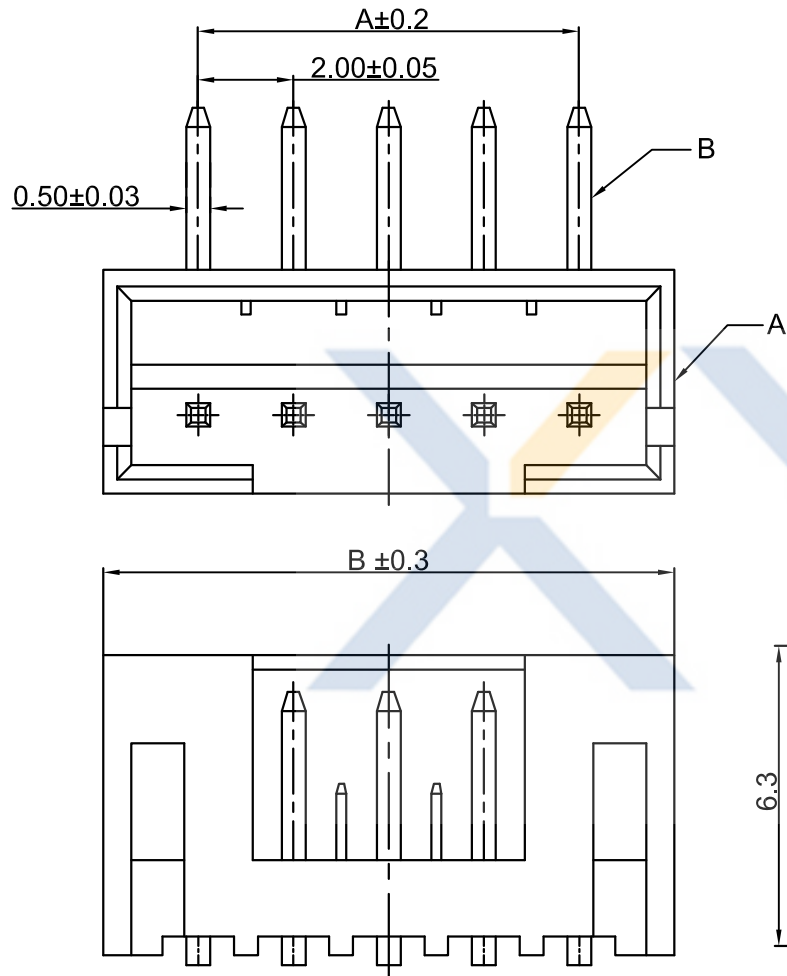


DRAWING FOR CUSTOMER



KB933-XX X D R 5 A

Pin No. Version
 包装方式: Mold No.

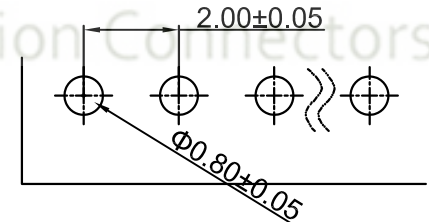
T:TUBE (管装)
 R:REEL (卷装)
 P: PE (袋装)

R:Right Angle
 V:Vertical
 S:SMT
 D:DIP

- SPEC.:
- Rated Voltage:250V AC,DC
 - Rated Current:2A AC,DC
 - Withstand Voltage:1000V AC/minute
 - Contact Resistance:20mΩ max
 - Insulation Resistance:1000MΩ min
 - Temperature Range:-25℃~+85℃

- Material:
- Insulator(A):PA66 UL94V-0
 - Contact Pin(B): Brass
 - Finish: Tin-Plated, over Nickel

Poles	Dimensions(mm)	
	A	B
02	2.0	6.1
03	4.0	8.1
04	6.0	10.1
05	8.0	12.1
06	10.0	14.1
07	12.0	16.1
08	14.0	18.1
09	16.0	20.1
10	18.0	22.1
11	20.0	24.1
12	22.0	26.1
13	24.0	28.1
14	26.0	30.1
15	28.0	32.1
16	30.0	34.1



SUGGESTED PCB LAYOUT
(COMPONENT SIDE)

XYCO 东莞市轩业电子科技有限公司
 TEL: 0769-8297 9981/2/3 http://www.XYCO.com.cn

DATE		VER	CHANGE HISTORY	CHANGED NAME	DRAWING	TOLERANCE	DRAWING	Devin	KB933-XXXDR5A
日期	版本		變更歷史	修改後料號	變更者	公差	設計者		
2016-12-16	A			KB933-XXXDR5A	Devin	.X=±0.25 .XX=±0.15 .XXX=±0.10	CHECKED	Thomas	PART NO. 料號
							APPROVED	William	DWG NO. 圖號

UNIT	mm	PRODUCT NAME
單位		產品名稱
mm		PHR PH2.0mm Wire To Board DIP Right Angle Wafer