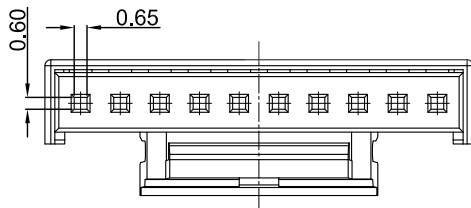
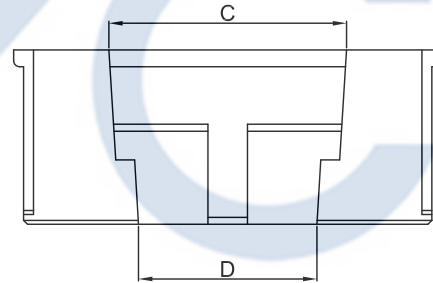
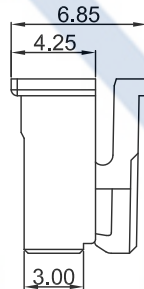
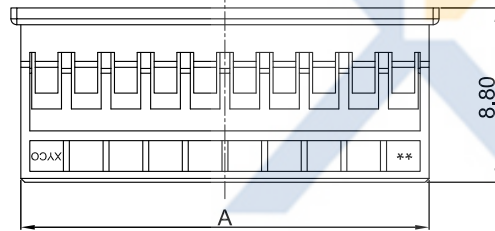
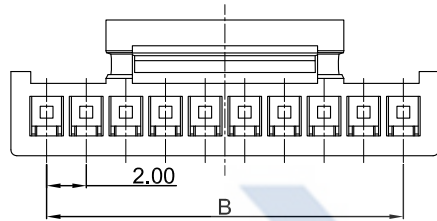
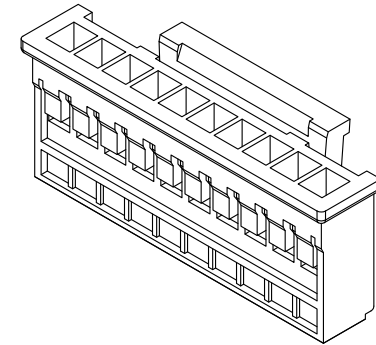


DRAWING FOR CUSTOMER

KB9310-X X H L 1 A- XX

Pin No.
Housing
With Lock

Color
Version
Mold No.



- SPEC.:
- Rated Voltage:125V AC,DC
 - Rated Current:2A AC,DC
 - Withstand Voltage:1000V AC/minute
 - Contact Resistance:20mΩ max
 - Insulation Resistance:1000MΩ min
 - Temperature Range:-25℃~+85℃

- Material:
- Insulator:PA66 UL94V-0
 - Color:WH-White
 - BK-Black

Poles	Dimensions(mm)			
	A	B	C	D
05	10.60	8.00	6.00	3.00
06	12.60	10.00	8.00	5.00
07	14.60	12.00	10.00	7.00
10	20.60	18.00	12.00	9.00
12	24.60	22.00	16.00	13.00
14	28.60	26.00	20.00	17.00

XYCO 东莞市轩业电子科技有限公司
TEL: 0769-8297 9981/2/3 http://www.XYCO.com.cn

DATE 日期	VER 版本	CHANGE HISTORY 變更歷史	CHANGED NAME 修改後料號	DRAWING 變更者	TOLERANCE 公差 .X=±0.30 .XX=±0.20 .XXX=±0.10	DRAWING 設計者 CHECKED 審查 APPROVED 核准	Devin Thomas William	KB9310-XXHL1A-XX
2016-05-27	A		KB9310-XXHL1A-XX	Devin				

UNIT 單位	mm	PRODUCT NAME 產品名稱	PH2.0 Wire to board Housing With Lock

Precision Connector