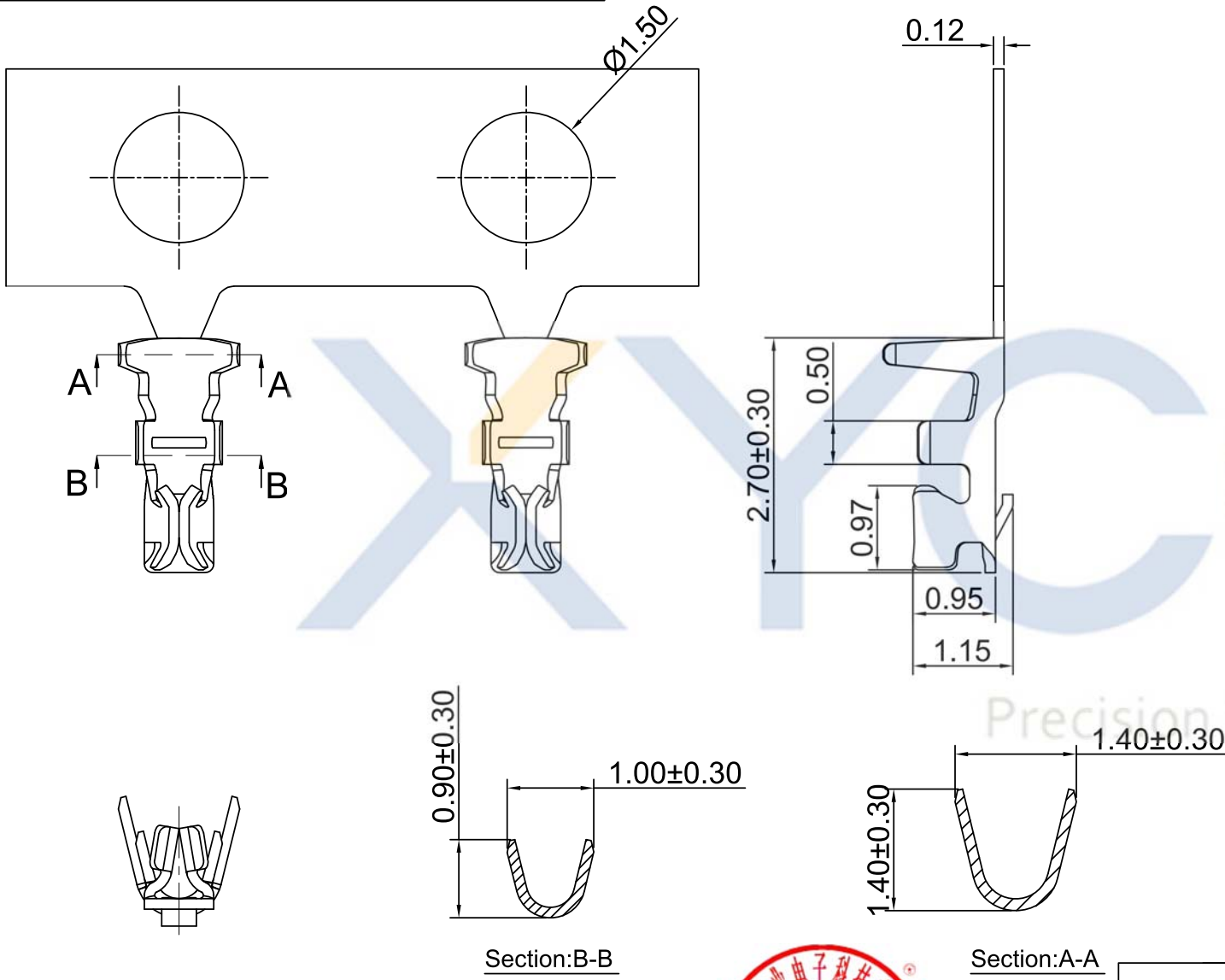


DRAWING FOR CUSTOMER



- SPEC.:
- Rated Voltage:125V AC,DC
 - Rated Current:1A AC,DC
 - Withstand Voltage:500V AC/minute
 - Contact Resistance:20mΩ max
 - Insulation Resistance:100MΩ min
 - Temperature Range:-25℃~+85℃

- Terminal:
- Material:Phosphor Bronze
 - Finish:Tin-Plated,over Nickel
 - Applicable wire:AWG#28~30
 - QTY.:20KPCS/Reel

KB914-X X T 2 A

1:All plated	Version
2:Half plated	
Plating	
0: Tin-plat	Terminal
1: Gold Flash	
2: Gold Plat3u"	
3: Gold Plat5u"	Mold No.

Section:B-B

Section:A-A

XYCO 东莞市轩业电子科技有限公司
TEL: 0769-8297 9981/2/3 http://www.XYCO.com.cn

DATE 日期	VER 版本	CHANGE HISTORY 變更歷史	CHANGED NAME 修改後料號	DRAWING 變更者	TOLERANCE 公差 .X=±0.30 .XX=±0.20 .XXX=±0.10	DRAWING 設計 Thomas CHECKED 審查 William APPROVED 核准	PART NO. 料號 KB914-XXT2A	DWG NO. 圖號 PE181007A
2018-10-23	A		KB914-XXT2A	Devin				

UNIT 單位	mm	PRODUCT NAME 產品名稱	PH1.25 Wire To Board Terminal
------------	----	----------------------	-------------------------------

