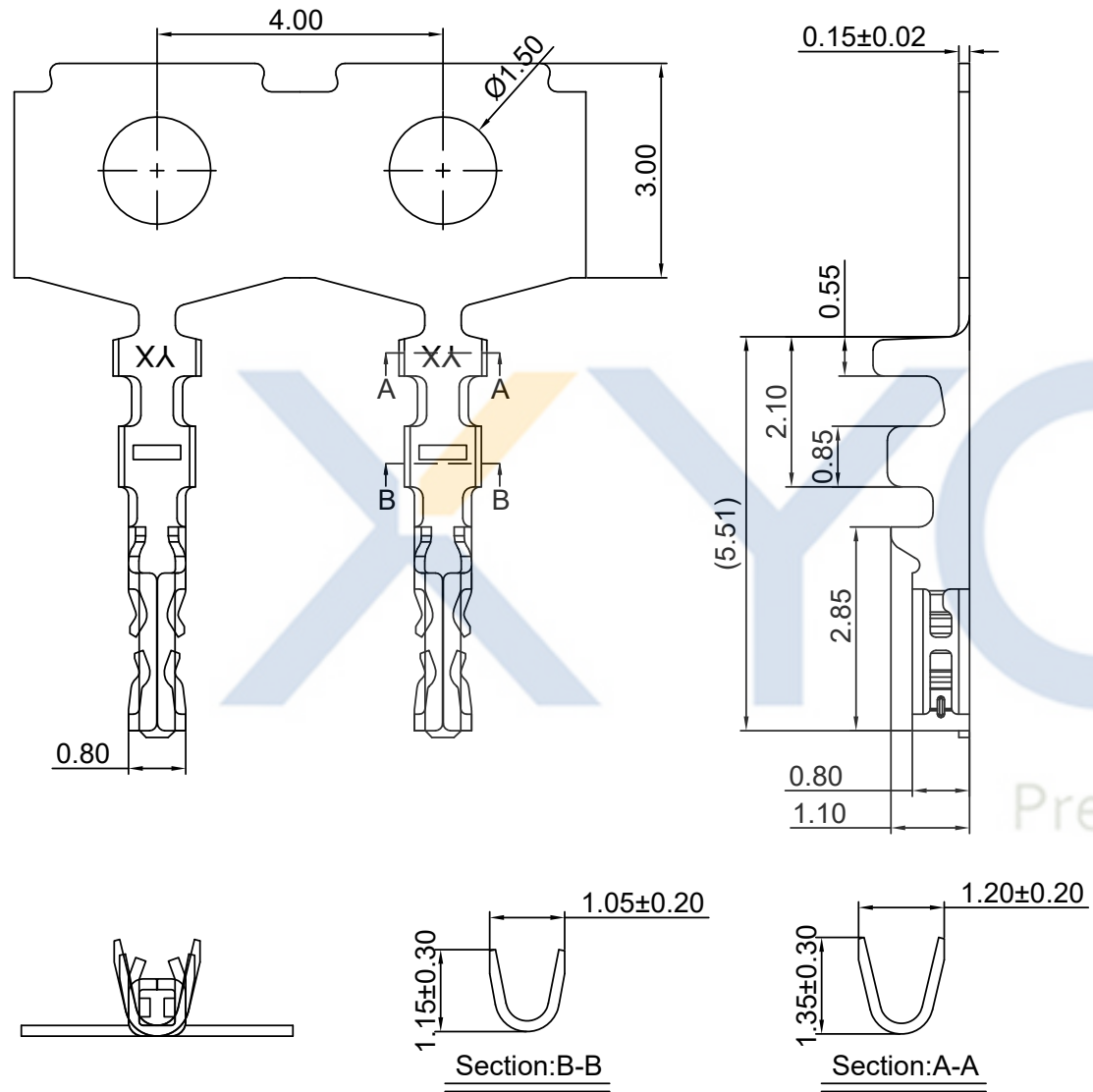


DRAWING FOR CUSTOMER



- SPEC.:
- Rated Voltage:125V AC,DC
 - Rated Current:1A AC,DC
 - Withstand Voltage:500V AC/minute
 - Contact Resistance:30mΩ max
 - Insulation Resistance:100MΩ min
 - Temperature Range:-25℃~+85℃

- Terminal:
- Material:Phosphor Bronze C5191
 - Finish:Gold/Tin-plated,over Nickel
 - Applicable wire:AWG#26~32
 - QTY.:20KPCS/Reel

KB919-XXT2A-X

1:All plated

Plating

- 0: Tin-plat
- 1: Gold Flash
- 2: Gold-Plat3u"
- 3: Gold-Plat5u"

Logo

Version

Mold No.

Terminal

XYCO 东莞市轩业电子科技有限公司
 TEL: 0769-8297 9981/2/3 http://www.XYCO.com.cn

					TOLERANCE 公差	DRAWING 設計者	Devin	KB919-XXT2A-X	
2022-11-29	A	旧模老化, 开设新模端子	KB919-XXT2A-X	Devin	.X=±0.30 .XX=±0.20 .XXX=±0.10	CHECKED 審查	Thomas	PART NO. 料號	
DATE 日期	VER 版本	CHANGE HISTORY 變更歷史	CHANGED NAME 修改後料號	DRAWING 變更者		APPROVED 核准	William	DWG NO. 圖號	PE221105A

UNIT 單位	mm	PRODUCT NAME 產品名稱	12507 PH1.25mm Wire To Board Terminal
------------	----	----------------------	--