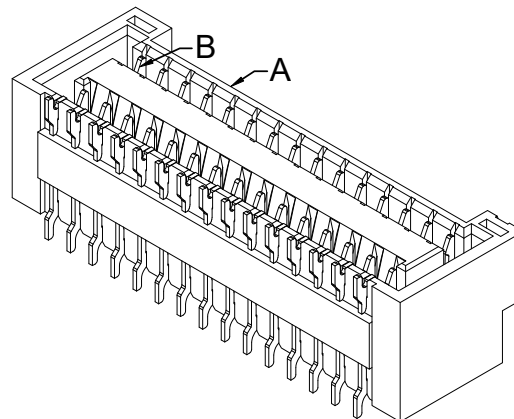


# DRAWING FOR CUSTOMER

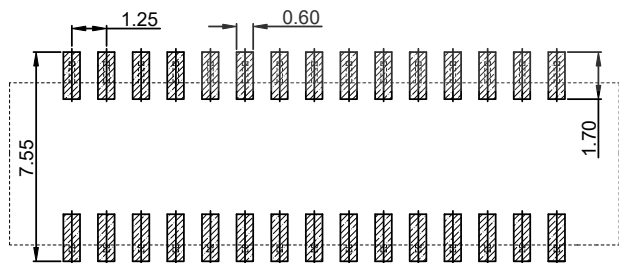
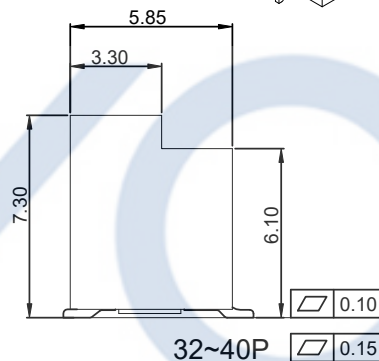
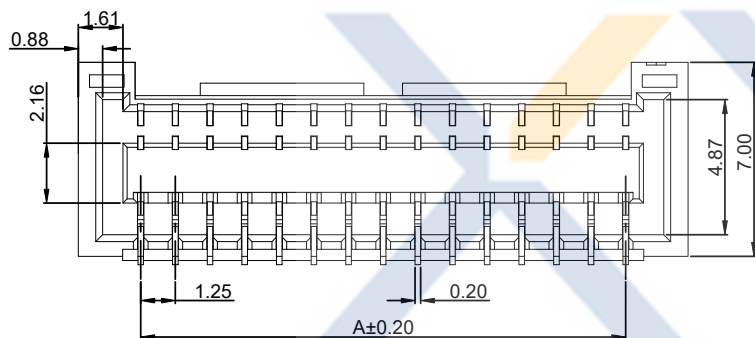
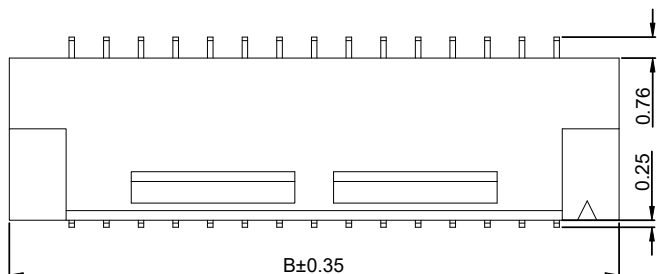


■SPEC.:

- Rated Voltage:50V AC,DC
- Rated Current:1A AC,DC
- Withstand Voltage:500V AC/minute
- Contact Resistance:30mΩ max
- Insulation Resistance:100MΩ min
- Temperature Range:-25℃~+85℃

■Material:

- Insulator(A):C1-LCP UL94V-0  
Color:BGE-Beige
- Contact PIN(B): Phosphor Bronze  
Finish:Matted Gold/Tin-Plated;over Nickel



Recommended P.C.B Layout  
General Tolerance±0.05

KB918-D XX X S R 3 A -C1-BGE

Double row  
Pin No.  
T:TUBE 管裝  
R:REEL 卷裝  
P:PE 袋裝  
D:DIP  
S: SMT

Color  
Material  
Version  
Mold No.  
R:Right Angle  
V:Vertical

Poles	Dimensions(mm)	
	A	B
2X05	5.00	9.50
2X06	6.25	10.75
2X07	7.50	12.00
2X08	8.75	13.25
2X09	10.00	14.50
2X10	11.25	15.75
2X11	12.50	17.00
2X12	13.75	18.25
2X13	15.00	19.50
2X14	16.25	20.75
2X15	17.50	22.00
2X16	18.75	23.25
2X17	20.00	24.50
2X18	21.25	25.75
2X19	22.50	27.00
2X20	23.75	28.25

**XYCO** 东莞市轩业电子科技有限公司  
TEL: 0769-8297 9981/2/3 http://www.XYCO.com.cn

2021-11-04		A			TOLERANCE 公差	DRAWING 設計者	Devin	KB918-DXXXSR3A-C1-BGE		UNIT 單位		mm	PRODUCT NAME 產品名稱		GHDR PH1.25mm Wire To Board SMT Right Angle Double Row Wafer	
DATE 日期	VER 版本	CHANGE HISTORY 變更歷史		CHANGED NAME 修改後料號	DRAWING 變更者	CHECKED 審查	Thomas	PART NO. 料號	DWG NO. 圖號	PE211109A						
1	2	3		4	5	6	7	8	9	10		11	12		13	