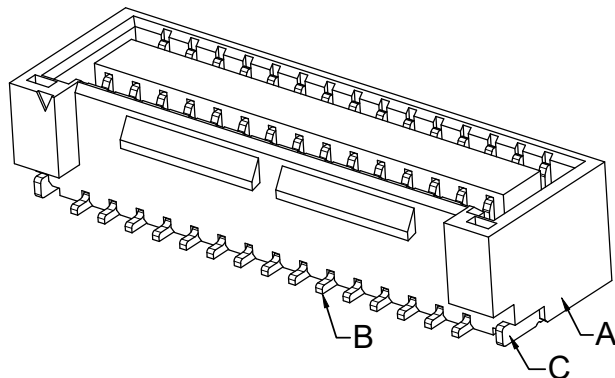
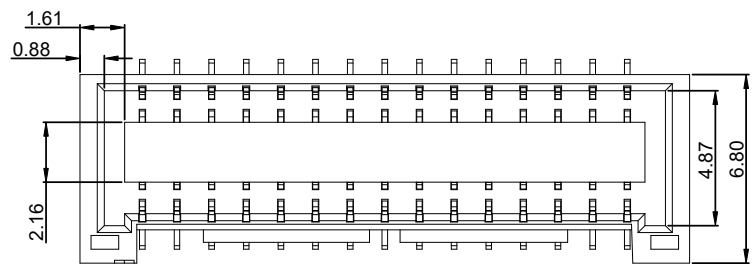


DRAWING FOR CUSTOMER

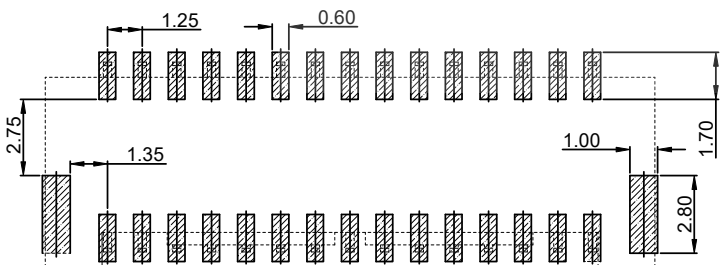
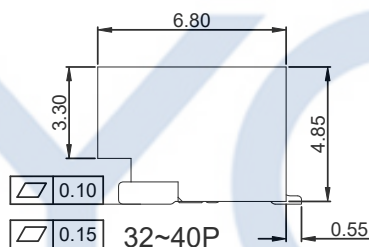
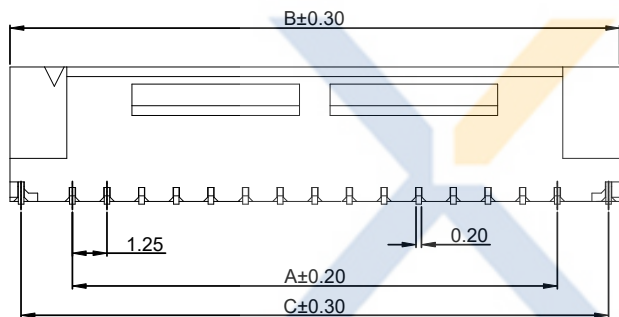


■SPEC.:

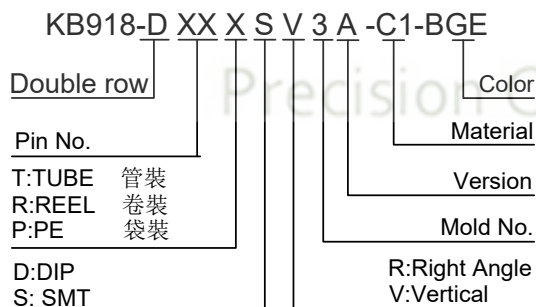
- Rated Voltage:50V AC,DC
- Rated Current:1A AC,DC
- Withstand Voltage:500V AC/minute
- Contact Resistance:30mΩ max
- Insulation Resistance:100MΩ min
- Temperature Range:-25℃~+85℃

■Material:

- Insulator(A):C1-LCP UL94V-0
Color:BGE-Beige
- Contact PIN(B): Phosphor Bronze
Finish:Matted Gold/Tin-Plated;over Nickel
- Solder tab(C):Brass
Finish:Matted Tin-Plated;over Nickel
- QTY.:1250PCS/Reel



Recommended P.C.B Layout
General Tolerance±0.05



Poles	Dimensions(mm)		
	A	B	C
2X05	5.00	9.50	8.70
2X06	6.25	10.75	9.95
2X07	7.50	12.00	11.20
2X08	8.75	13.25	12.45
2X09	10.00	14.50	13.70
2X10	11.25	15.75	14.95
2X11	12.50	17.00	16.20
2X12	13.75	18.25	17.45
2X13	15.00	19.50	18.70
2X14	16.25	20.75	19.95
2X15	17.50	22.00	21.20
2X16	18.75	23.25	22.45
2X17	20.00	24.50	23.70
2X18	21.25	25.75	24.95
2X19	22.50	27.00	26.20
2X20	23.75	28.25	27.45

XYCO 东莞市轩业电子科技有限公司
TEL: 0769-8297 9981/2/3 http://www.XYCO.com.cn

2021-11-04		A	CHANGE HISTORY 變更歷史	CHANGED NAME 修改後料號	DRAWING 變更者	TOLERANCE 公差	DRAWING 設計者	Devin	KB918-DXXXSV3A-C1-BGE		UNIT 單位		PRODUCT NAME 產品名稱	GHDR PH1.25mm Wire To Board SMT Vertical Double Row Wafer
DATE 日期	VER 版本	KB918-DXXXSV3A-C1-BGE				Devin	.X=±0.30 .XX=±0.20 .XXX=±0.10	CHECKED 審查	Thomas	PART NO. 料號	mm			
								APPROVED 核准	William	DWG NO. 圖號	PE211110A	⊕		