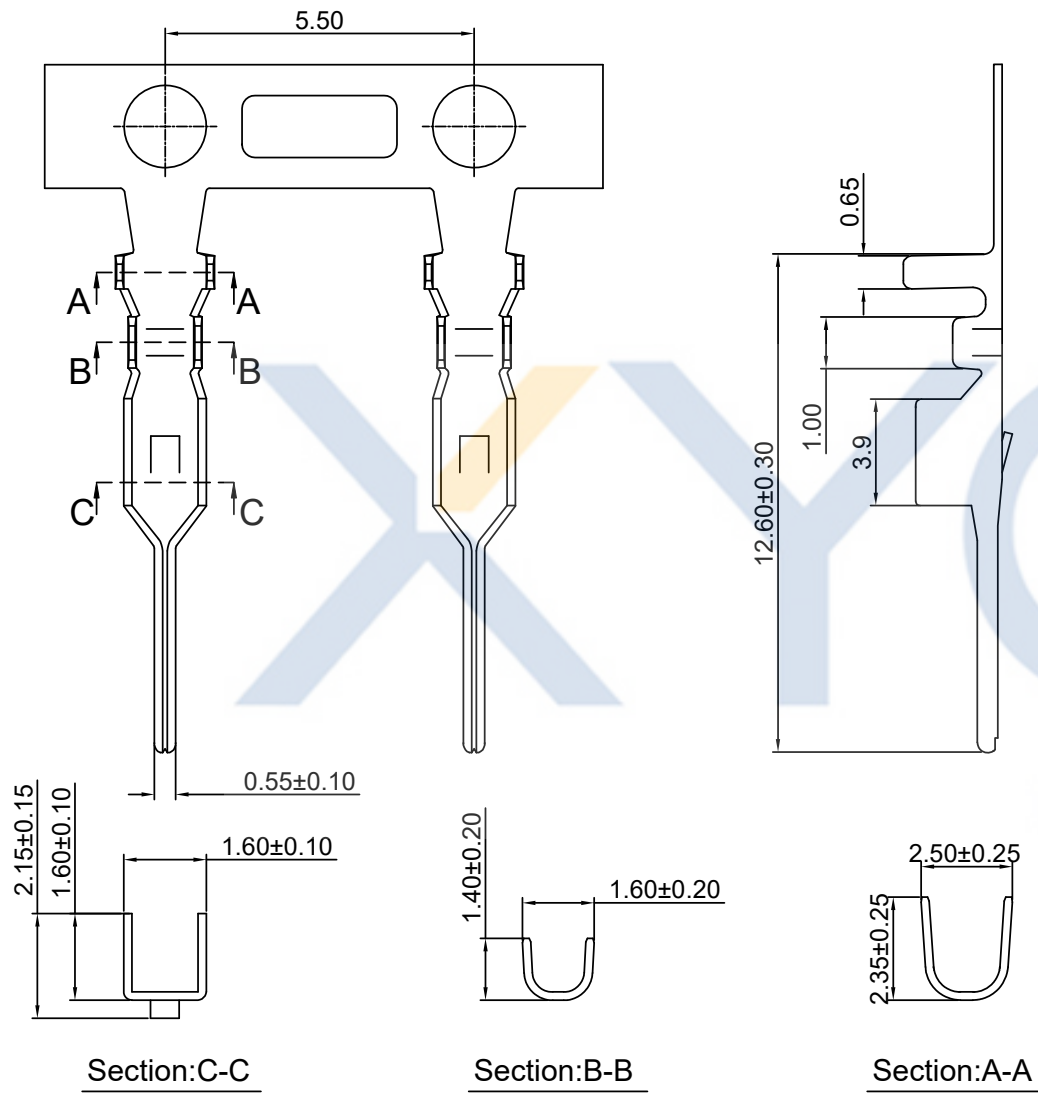


# DRAWING FOR CUSTOMER



■SPEC.:

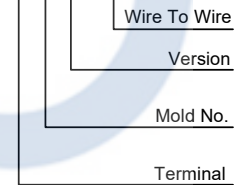
- Rated Voltage:250V AC,DC
- Rated Current:3A AC,DC
- Withstand Voltage:800V AC/minute
- Contact Resistance:20mΩ max
- Insulation Resistance:1000MΩ min
- Temperature Range:-25℃~+85℃

■Terminal:

- Material:Phosphor Bronze
- Finish:Tin-plated,over Nickel
- Applicable wire:AWG#22~30
- QTY.:12KPCS/Reel

KB935-XXT2A-F1

- 1:All plated  
2:Half plated  
Plating  
0: Tin-plat  
1: Gold Flash  
2: Gold Plat3u"  
3: Gold Plat5u"



Precision Connectors

**XYCO** 东莞市轩业电子科技有限公司  
TEL: 0769-8297 9981/2/3 <http://www.XYCO.com.cn>

				TOLERANCE 公差		DRAWING 設計者		Devin		KB935-XXT2A-F1			
2014-08-01	A	CHANGE HISTORY 變更歷史	KB935-XXT2A-F1	Devin	.X=±0.30	CHECKED 審查	Thomas	PART NO. 料號		UNIT 單位	mm		
DATE 日期	VER 版本				.XX=±0.20	APPROVED 核准	William	DWG NO. 圖號	PE1711002A	PRODUCT NAME 產品名稱		PHS PH2.0 Wire To Wire Terminal	
					.XXX=±0.10								

