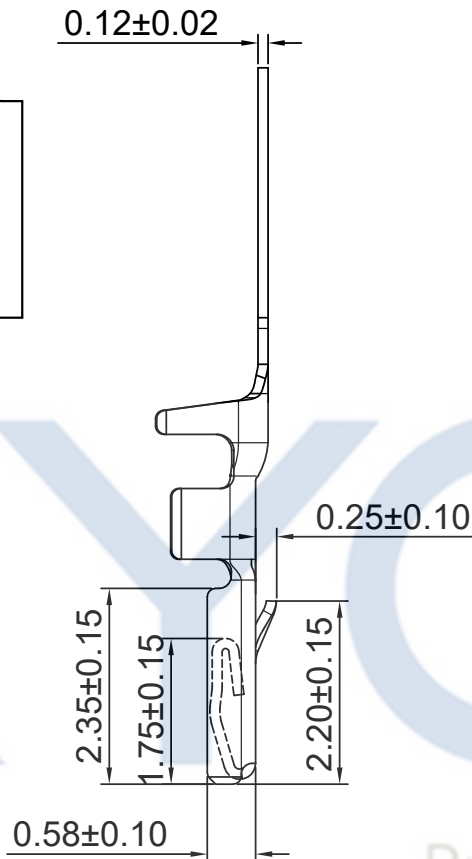
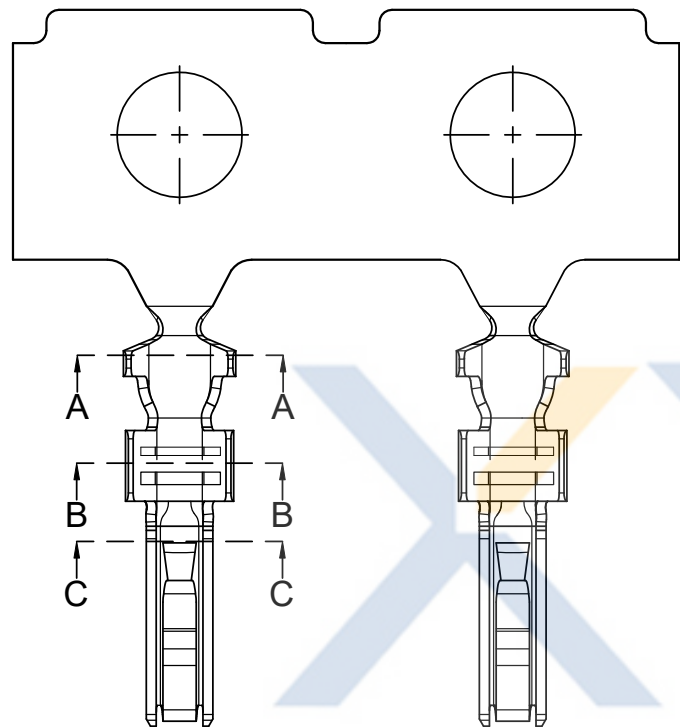


# DRAWING FOR CUSTOMER



■SPEC.:

- Voltage Rating:50V AC/DC
- Current Rating:1.0A AC/DC
- Dielectric Strength :500V AC/minute
- Contact Resistance:30mΩ max
- Insulation Resistance:100MΩ min
- Temperature Range:-25°C ~+85°C

■Terminal:

- Material:Phosphor C5191
- Finish: Tin/Gold-Plated;Over Nickel-Plated
- Applicable Wires:AWG#28~32
- Insulator OD:Ø0.75mm MAX
- Q'ty:20KPCS/Reel

XY10002-X X T 2 A

- 1:All plated
- 2:Half plated

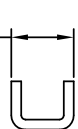
Version

- Plating
- 0: Tin-plat
- 1: Gold Flash
- 2: Gold Plat 3u"
- 3: Gold Plat 5u"

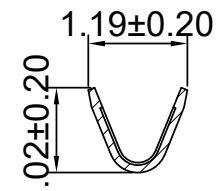
Mold No.

Terminal

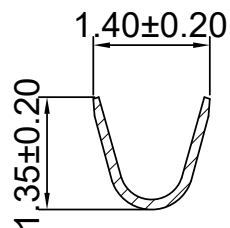
0.75±0.10



Section:C-C



Section:B-B



Section:A-A

Precision Connectors

**XYCO** 东莞市轩业电子科技有限公司  
TEL: 0769-8297 9981/2/3 <http://www.XYCO.com.cn>

2022-04-25		A			XY10002-XXT2A	Devin	TOLERANCE 公差	DRAWING 設計者	Devin	XY10002-XXT2A	
DATE 日期	VER 版本	CHANGE HISTORY 變更歷史		CHANGED NAME 修改後料號	DRAWING 變更者		.X=±0.10 .XX=±0.05 .XXX=±0.03	CHECKED 審查	Thomas	PART NO. 料號	UNIT 單位
								APPROVED 核准	William	DWG NO. 圖號	mm
										PE220402A	PRODUCT NAME 產品名稱
											NSH PH1.0mm Wire To Board Terminal

UNIT 單位	mm	PRODUCT NAME 產品名稱	NSH PH1.0mm Wire To Board Terminal
------------	----	----------------------	---------------------------------------