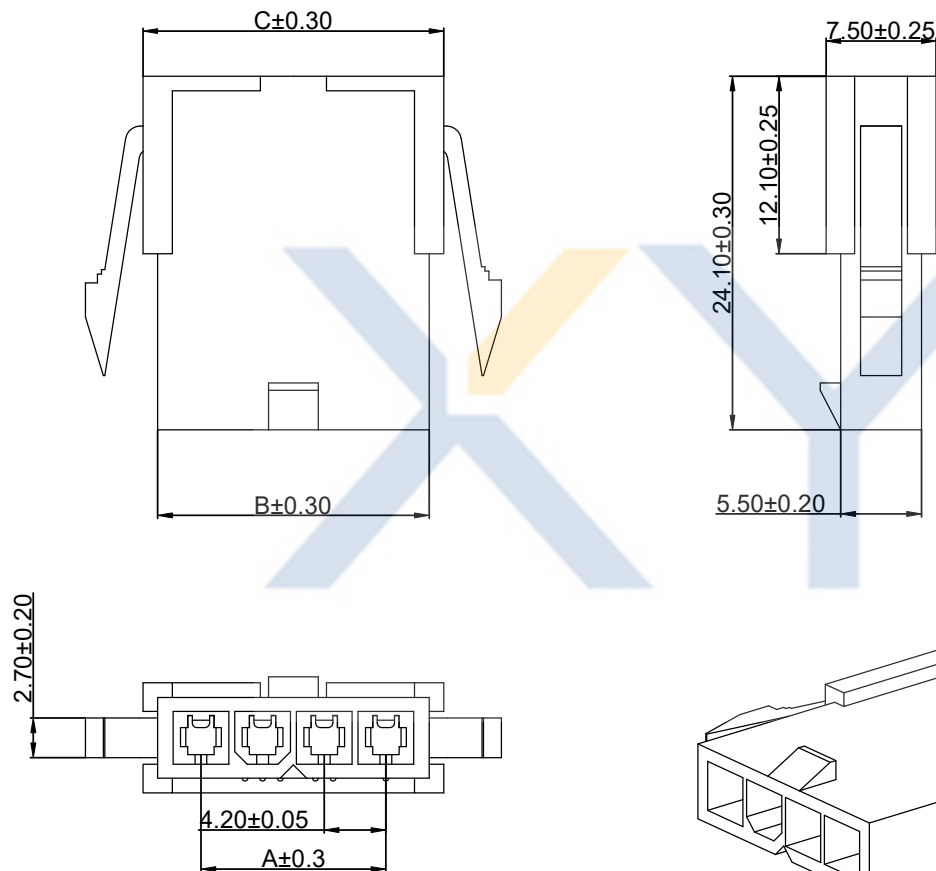


DRAWING FOR CUSTOMER



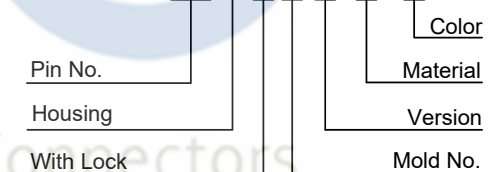
■SPEC.:

- Rated Voltage:250V AC,DC
- Rated Current:7A AC,DC
- Withstand Voltage:1500V AC/minute
- Insulation Resistance:1000MΩ min
- Contant Resistance:15mΩ Max.
- Temperature Range:-25℃~+85℃

■Notes:

- Material:B3-PA66 UL94-V2 HF
- Color:TP-Transparent

KB971- XX H L 5 A-B3-TP



Poles	Dimensions (mm)		
	A	B	C
2	4.20	9.65	11.65
3	8.40	13.85	15.85
4	12.60	18.15	20.15

XYCO 东莞市轩业电子科技有限公司
TEL: 0769-8297 9981/2/3 <http://www.XYCO.com.cn>

2013-07-30		A			KB971- XXHL5A-B3-TP	Devin	KB971- XXHL5A-B3-TP
DATE	VER	CHANGE HISTORY	CHANGED NAME	DRAWING	TOLERANCE	DRAWING	PART NO. 料号
日期	版本	变更历史	修改後料號	变更者	公差	设计者	DWG NO. 图号
					.X=±0.30 .XX=±0.20 .XXX=±0.10	Devin	PE191218A
						Thomas	
						William	

UNIT	mm	PRODUCT NAME	5559 PH4.2mm Single Row Housing With wings-female
		产品名称	