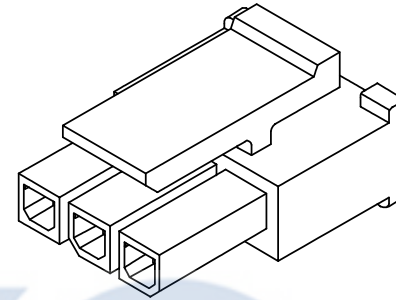
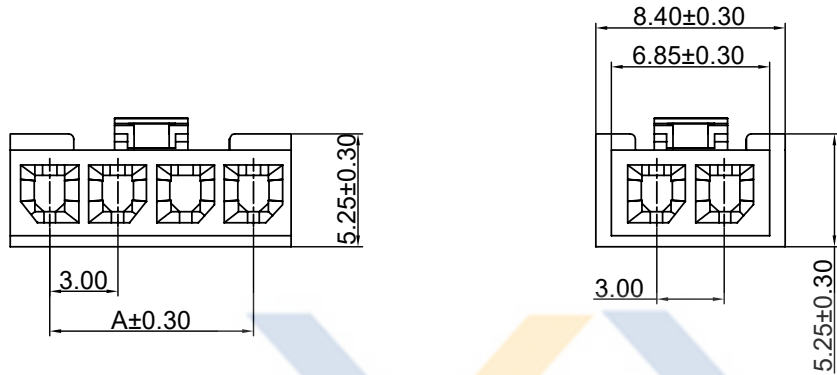


DRAWING FOR CUSTOMER

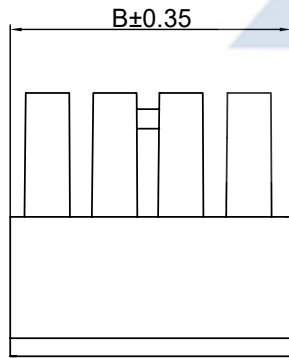
- SPEC.:
- Rated Voltage:250V AC,DC
 - Rated Current:5A AC,DC
 - Withstand Voltage:1000V AC/minute
 - Contact Resistance:10mΩ max
 - Insulation Resistance:1000MΩ min
 - Temperature Range:-25°C~+85°C

- Material:
- Insulator:PA66 UL94 V-2
 - Color: BK-Black

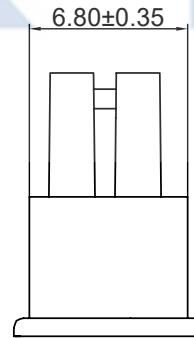


KB9301-XXHL6A-XX

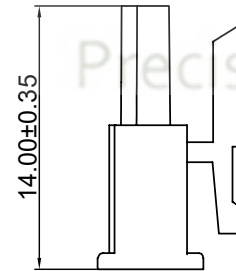
Pin No. Color
Housing Version
 Mold No.
 With Lock



03P~12P



02P



Poles	Dimensions(mm)	
	A	B
1X02	3.00	6.85
1X03	6.00	9.85
1X04	9.00	12.85
1X05	12.00	15.85
1X06	15.00	18.85

XYCO 东莞市轩业电子科技有限公司
TEL: 0769-8297 9981/2/3 http://www.XYCO.com.cn

DATE 日期	VER 版本	CHANGE HISTORY 變更歷史	CHANGED NAME 修改後料號	DRAWING 變更者
2015-10-16	A		KB9301-XXHL6A-XX	Devin

TOLERANCE 公差	DRAWING 設計者	Devin	KB9301-XXHL6A-XX	
.X=±0.30	CHECKED 審查	Thomas	PART NO. 料號	
.XX=±0.20	APPROVED 核准	William	DWG NO. 圖號	PE211202A
.XXX=±0.10				

UNIT 單位	mm	PRODUCT NAME 產品名稱
		43645 PH3.0mm Wire To Wire Single row Housing with lock-Male