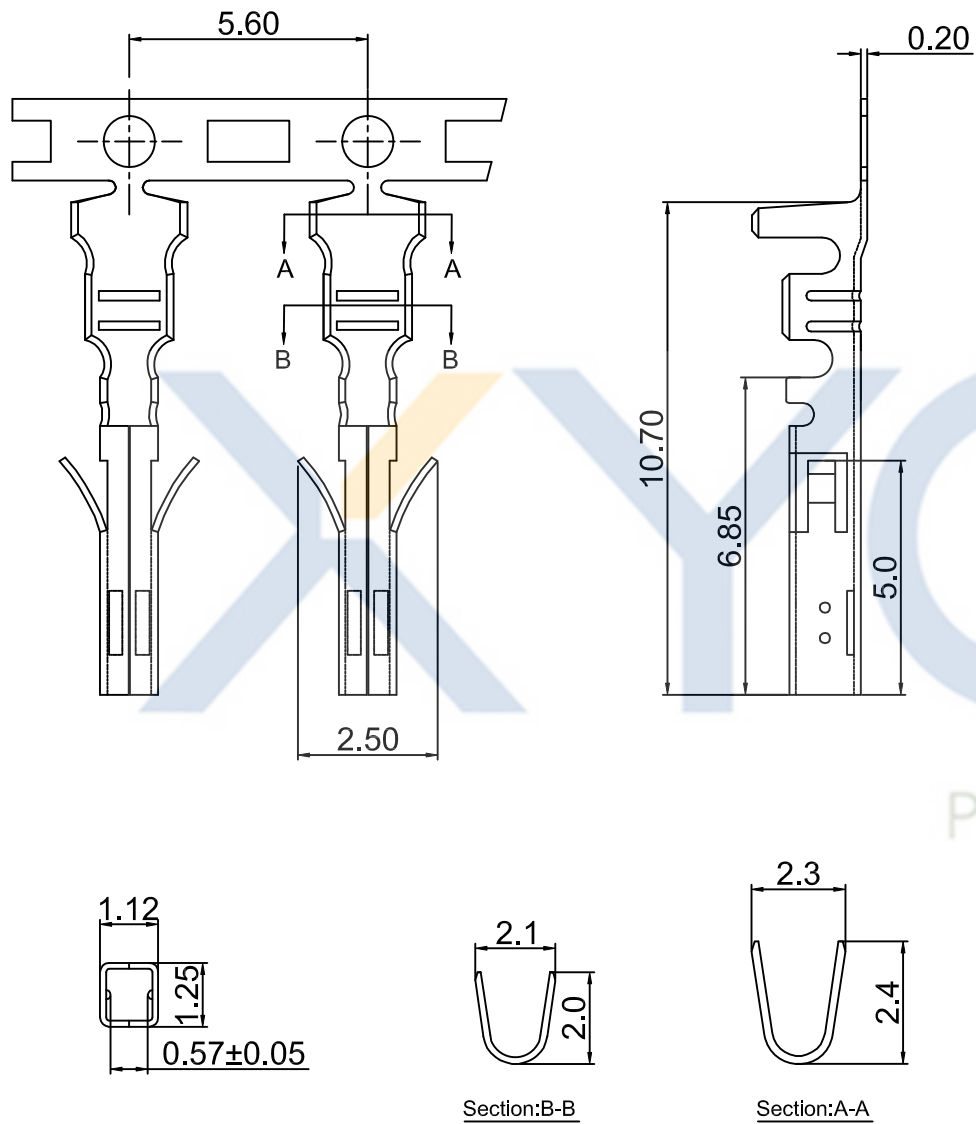


DRAWING FOR CUSTOMER



■SPEC.:

- Rated Voltage:250V AC,DC
- Rated Current:5A AC,DC
- Withstand Voltage:1000V AC/minute
- Contact Resistance:10mΩ max
- Insulation Resistance:1000MΩ min
- Temperature Range:-25℃~+85℃

■Terminal:

- Material:Phosphor Bronze
- Finish:Tin-plated ,over Nickel
- Applicable wire:AWG#18~24
- Insulation O.D:1.80 MAX
- QTY.:10KPCS/Reel

KB9301-XXXT6A

1:All plated
2:Half plated

Version

Plating

- 0: Tin-plat
- 1: Gold Flash
- 2: Gold Plat3u"
- 3: Gold Plat5u"

Mold No.

Terminal

XYCO 东莞市轩业电子科技有限公司
TEL: 0769-8297 9981/2/3 http://www.XYCO.com.cn

2015-10-15		A	CHANGE HISTORY 變更歷史	KB9301-XXT6A	Devin	TOLERANCE 公差	DRAWING 設計者	Devin	KB9301-XXT6A		UNIT 單位		PRODUCT NAME 產品名稱	43030 PH3.0mm Wire To Wire Terminal-Female
DATE 日期	VER 版本	CHANGED NAME 修改後料號				DRAWING 變更者	.X=±0.30 .XX=±0.20 .XXX=±0.10	CHECKED 審查	Thomas	PART NO. 料號	mm			
							APPROVED 核准	William	DWG NO. 圖號	PE201202A				