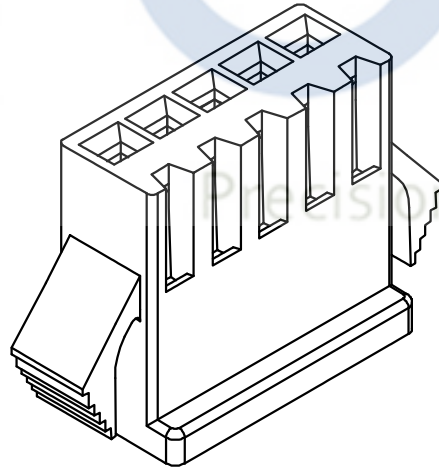
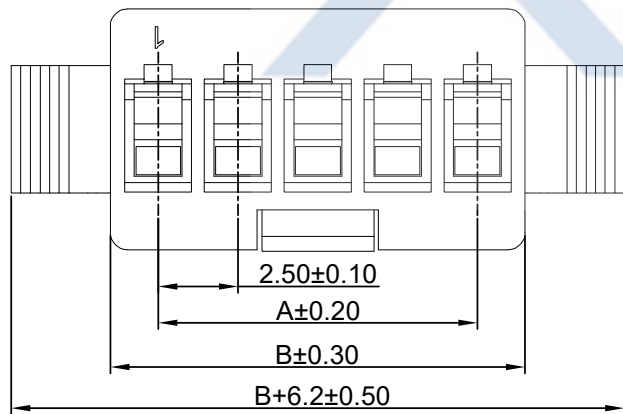
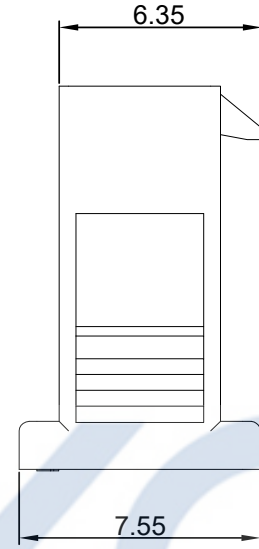
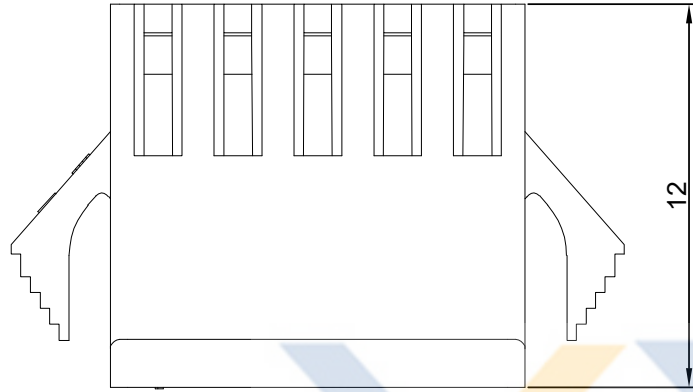


# DRAWING FOR CUSTOMER

- SPEC.:
- Rated Voltage:250V AC,DC
  - Rated Current:3A AC,DC
  - Withstand Voltage:1500V AC/minute
  - Contact Resistance:10mΩ max
  - Insulation Resistance:500MΩ min
  - Temperature Range:-25℃~+85℃

- Material:
- Insulator:PA66 UL94V-0
  - Color:BK-Black

**KB941-XX H L 3 A -BK**



Poles	Dimensions(mm)	
	A	B
02	2.50	5.5
03	5.00	8.0
04	7.50	10.5
05	10.00	13.0
06	12.50	15.5
07	15.00	18.0
08	17.50	20.5
09	20.00	23.0
10	22.50	25.5
11	25.00	28.0
12	27.50	30.5
13	30.00	33.0
14	32.50	35.5
15	35.00	38.0
16	37.50	40.5

**XYCO** 东莞市轩业电子科技有限公司  
TEL: 0769-8297 9981/2/3 <http://www.XYCO.com.cn>

					TOLERANCE 公差	DRAWING 設計者	Devin	KB941-XXHL3A-BK	
2013-09-13	A		KB941-XXHL3A-BK	Devin	.X=±0.30 .XX=±0.20 .XXX=±0.10	CHECKED 審查	Thomas	PART NO. 料號	
DATE 日期	VER 版本	CHANGE HISTORY 變更歷史	CHANGED NAME 修改後料號	DRAWING 變更者		APPROVED 核准	William	DWG NO. 圖號	PE2504A

UNIT 單位	mm	PRODUCT NAME 產品名稱	SM-NY PH2.5mm Wire To Wire Housing-Male
------------	----	----------------------	--