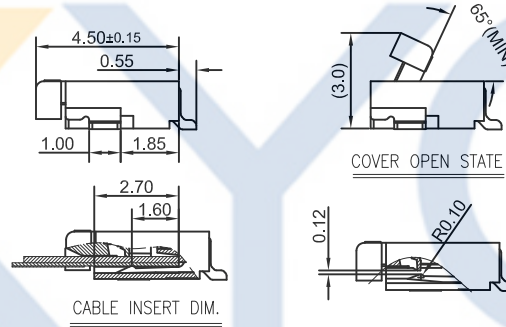
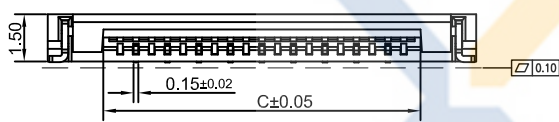
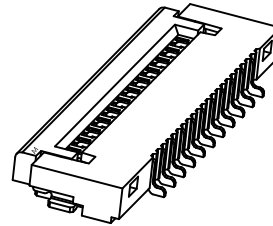
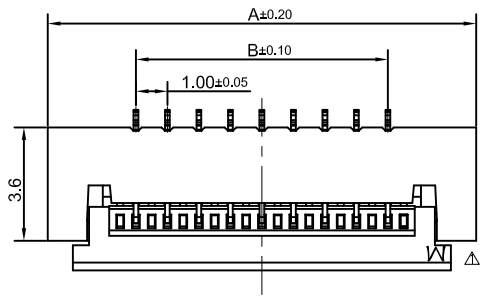


DRAWING FOR CUSTOMER

NOTES:

- HUOSINGT:HIGH-TEMP THERMOPLASTIC UL94V-0
- ACTUATOR:HIGH-TEMP THERMOPLASTIC UL94V-0
- TERMINAL:COPPER ALLOY
PLATING:GOLD FLASH OR MATTE-TIN OR TIN (LEAD FREE)
- FITTING NAIL:COPPER ALLOY
PLATING:MATTE-TIN OR TIN (LEAD FREE)



KBF1005-XX X S R 150 L 2 A

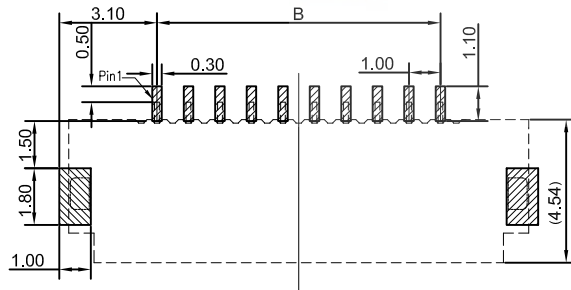
Pin No. S R 150 L 2 A Version

包裝方式:
T:TUBE (管裝)
R:REEL (卷裝)
P: PE (袋裝)

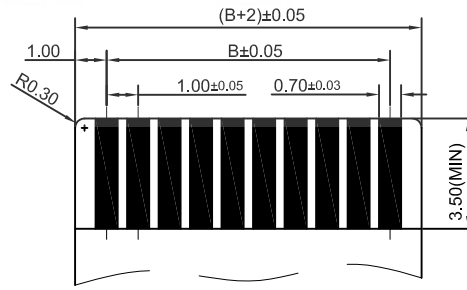
S:SMT
R:Right Angle
V:Vertical

Mold No.
Contacts Type:U:Upper
L:Lower
R:Right
F:Left
D:Double

H厚度: 1.0mm=100
1.2mm=120
1.5mm=150
2.0mm=200



RECOMMENDED PCB PATTERN DIM.
TOLERANCE : ±0.05



APPLICABLE FPC/FFC
(THICKNESS 0.3±0.03)

No. of contacts	Dimensions			No. of contacts	Dimensions		
	A	B	C		A	B	C
4	8.60	3.00	5.05	18	22.60	17.00	19.05
5	9.60	4.00	6.05	19	23.60	18.00	20.05
6	10.60	5.00	7.05	20	24.60	19.00	21.05
7	11.60	6.00	8.05	21	25.60	20.00	22.05
8	12.60	7.00	9.05	22	26.60	21.00	23.05
9	13.60	8.00	10.05	23	27.60	22.00	24.05
10	14.60	9.00	11.05	24	28.60	23.00	25.05
11	15.60	10.00	12.05	25	29.60	24.00	26.05
12	16.60	11.00	13.05	26	30.60	25.00	27.05
13	17.60	12.00	14.05	27	31.60	26.00	28.05
14	18.60	13.00	15.05	28	32.60	27.00	29.05
15	19.60	14.00	16.05	29	33.60	28.00	30.05
16	20.60	15.00	17.05	30	34.60	29.00	31.05
17	21.60	16.00	18.05	31	35.60	30.00	32.05

XYCO PRECISION CONNECTORS

TEL: 0769-8297 9981/2/3 <http://www.XYCO.com.cn>

				TOLERANCE 公差	DRAWING 設計者 Devin	KBF1005-XXXSR150L2A			
2015-07-10	A	CHANGE HISTORY 變更歷史	KBF1005-XXXSR150L2A	DRAWING 變更者 Devin	CHECKED 審查 Thomas	PART NO. 料號			
DATE 日期	VER 版本				APPROVED 核准 William	DWG NO. 圖號 PE1906007A	UNIT 單位 mm	PRODUCT NAME 產品名稱	
							1.0 ZIF FPC SMT R/A B/C		