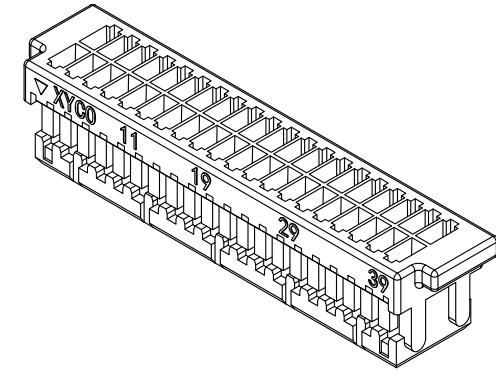


DRAWING FOR CUSTOMER



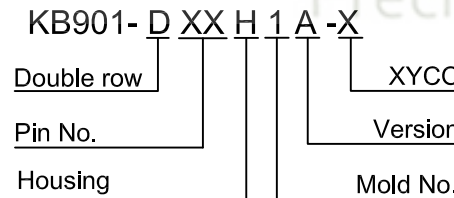
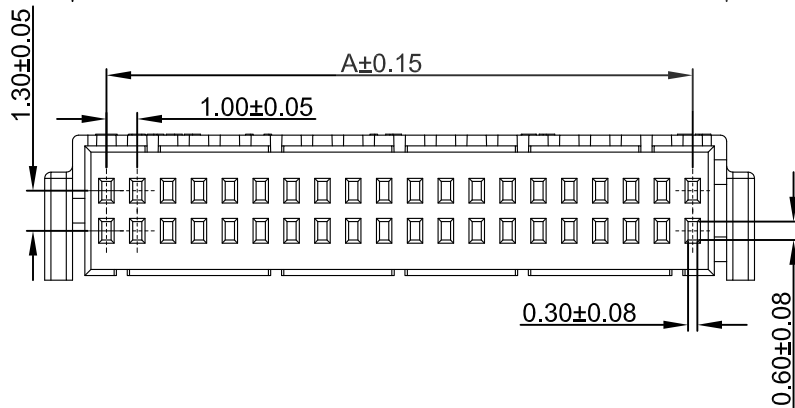
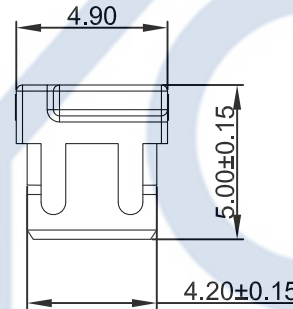
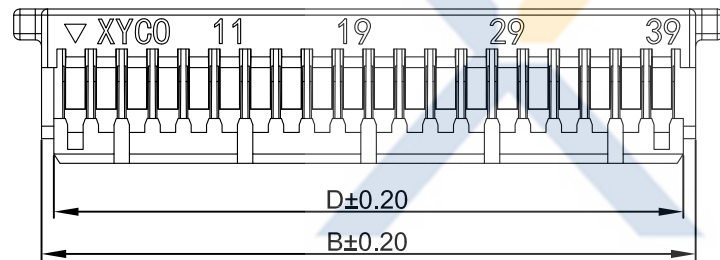
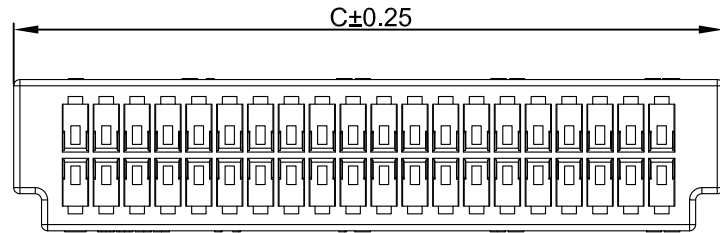
■SPEC.:

- Rated Voltage: 50V AC,DC
- Rated Current: 1A
- Withstand Voltage: 500V AC/minute
- Contact Resistance: 20mΩ max
- Insulation Resistance: 100MΩ min
- Temperature Range: -25°C~+85°C

■Material:

- Insulator:KB901- DXXH1A-X (PBT UL94V-0)
KB901- DXXH1A-HF-X (PA66 UL94V-0)

Color: White



Poles	Dimensions (mm)			
	A	B	C	D
2X06	5.00	7.20	9.00	6.40
2X08	7.00	9.20	11.00	8.40
2X10	9.00	11.20	13.00	10.40
2X15	14.00	16.20	18.00	15.40
2X20	19.00	21.20	23.00	20.40
2X25	24.00	26.20	28.00	25.40

XYCO 东莞市轩业电子科技有限公司
TEL: 0769-8297 9981/2/3 <http://www.XYCO.com.cn>

2012-03-19		A	CHANGE HISTORY 變更歷史	KB901-DXXH1A-X	Devin	TOLERANCE 公差	DRAWING 設計者	Devin	KB901-DXXH1A-X		UNIT 單位		PRODUCT NAME 產品名稱	SHDR PH1.00mm Wire To Board double row Housing
DATE 日期	VER 版本	CHANGED NAME 修改後料號				DRAWING 變更者	.X=±0.30 .XX=±0.20 .XXX=±0.10	CHECKED 審查	Thomas	PART NO. 料號	mm			
							APPROVED 核准	William	DWG NO. 圖號	PE2005A	mm			