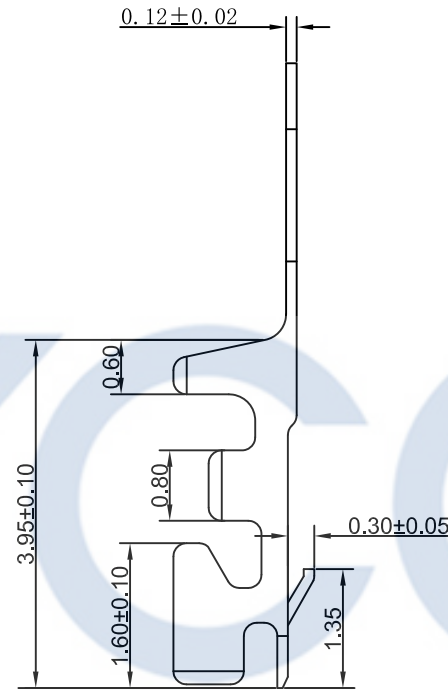
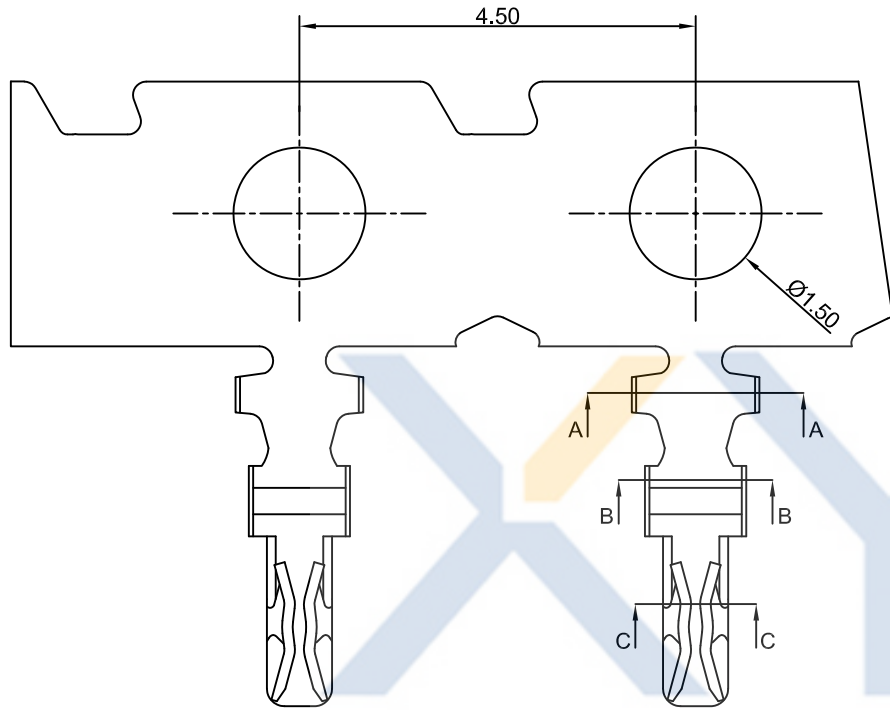


# DRAWING FOR CUSTOMER



- SPEC.:
- Rated Voltage:50V AC,DC
  - Rated Current:1A AC,DC
  - Withstand Voltage:500V AC/minute
  - Contact Resistance:20mΩ max
  - Insulation Resistance:100MΩ min
  - Temperature Range:-25℃~+85℃

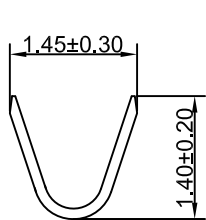
- Terminal:
- Material:Phosphor Bronze
  - Finish:Tin/Gold-plated,over Nickel
  - Applicable wire:AWG#28~32
  - QTY.:20KPCS/Reel

KB901-XXXT1A

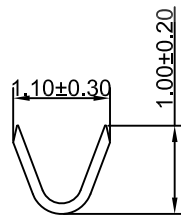
- 1:All plated
- 2:Half plated

- Plating
- 0: Tin-plat
  - 1: Gold Plat1u"
  - 2: Gold Plat3u"
  - 3: Gold Plat5u"

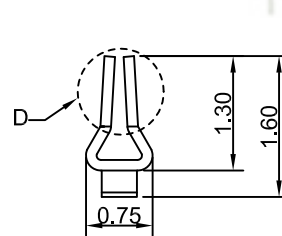
- Version
- Mold No.
- Terminal



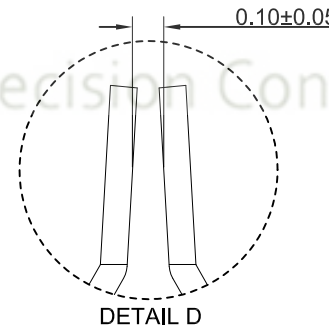
Section:A-A



Section:B-B



Section:C-C



DETAIL D

**XYCO** 东莞市轩业电子科技有限公司  
TEL: 0769-8297 9981/2/3 http://www.XYCO.com.cn

				TOLERANCE 公差		DRAWING 設計者		Devin		KB901-XXT1A	
2013-08-10		A		.X=±0.30 .XX=±0.20 .XXX=±0.10		CHECKED 審查		Thomas		PART NO. 料號	
DATE 日期		VER 版本		CHANGE HISTORY 變更歷史		CHANGED NAME 修改後料號		DRAWING 變更者		DWG NO. 圖號	
								William		PE2006A	

UNIT 單位	mm	PRODUCT NAME 產品名稱	SH1.0mm Wire To Board Terminal
------------	----	----------------------	-----------------------------------