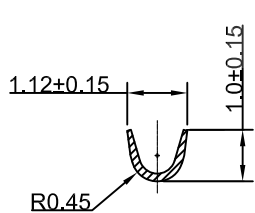
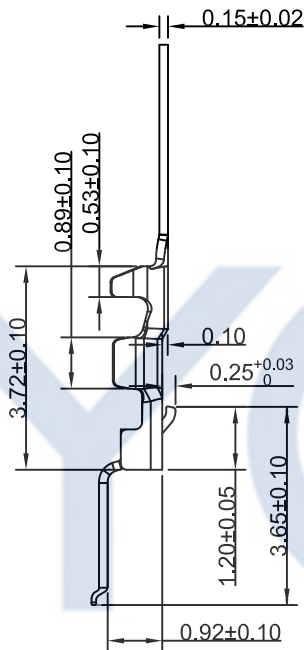
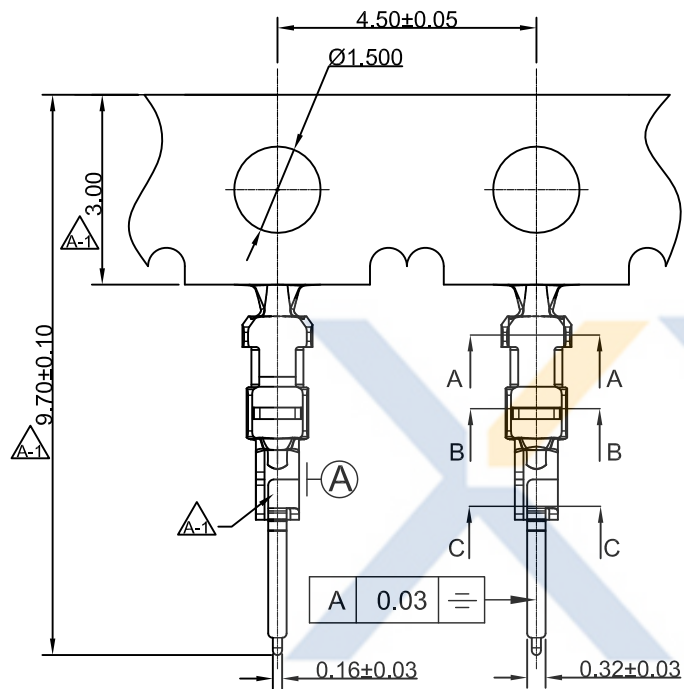
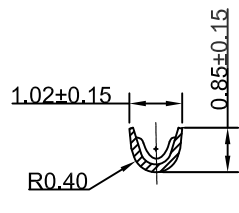


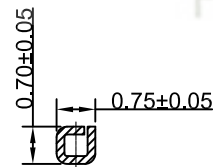
DRAWING FOR CUSTOMER



SECTION A-A



SECTION B-B



SECTION C-C

■SPEC.:

- Rated Voltage:200V AC,DC
- Rated Current:0.8A AC,DC
- Withstand Voltage:500V AC/minute
- Contact Resistance:40mΩ max
- Insulation Resistance:100MΩ min
- Temperature Range:-40℃~+85℃

■Terminal

- Material:Phosphor Bronze C5191
- Finish:Gold-plated,over Nickel
- Applicable wire:AWG#28~32
- QTY.:20KPCS/Reel

KB904-XXTA2A

1:All plated
2:Half plated

Plating

- 0: Tin-plat
- 1: Gold Plat1u"
- 2: Gold Plat3u"
- 3: Gold Plat5u"
- 8: Gold Plat8u"

Version

Mold No.

A:Lower contact
B:Upper contact

Terminal

XYCO 东莞市轩业电子科技有限公司
TEL: 0769-8297 9981/2/3 http://www.XYCO.com.cn

2016-11-12	A-1	优化尺寸, 优化产品	KB904-XXTA2A	Devin	TOLERANCE 公差	DRAWING 設計者	Devin	KB904-XXTA2A		UNIT 單位		mm	PRODUCT NAME 產品名稱	FI-RE PH0.5mm Wire To Board Lower contact Terminal
2014-08-13	A	新模端子, 优化改进	KB904-XXTA2A	Devin	.X=±0.30 .XX=±0.20 .XXX=±0.10	CHECKED 審查	Thomas	PART NO. 料號	DWG NO. 圖號	PE2316A	mm			
DATE 日期	VER 版本	CHANGE HISTORY 變更歷史	CHANGED NAME 修改後料號	DRAWING 變更者		APPROVED 核准	William							