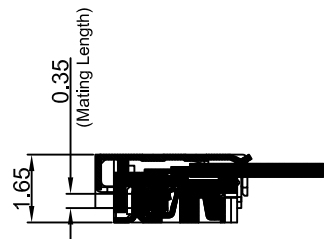
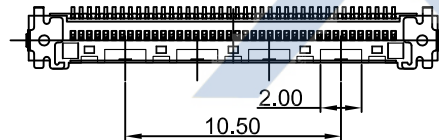
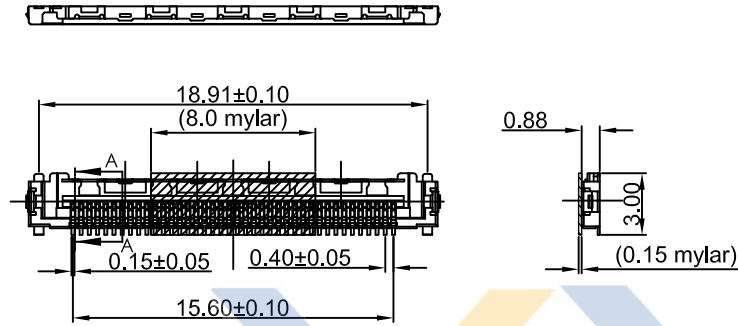
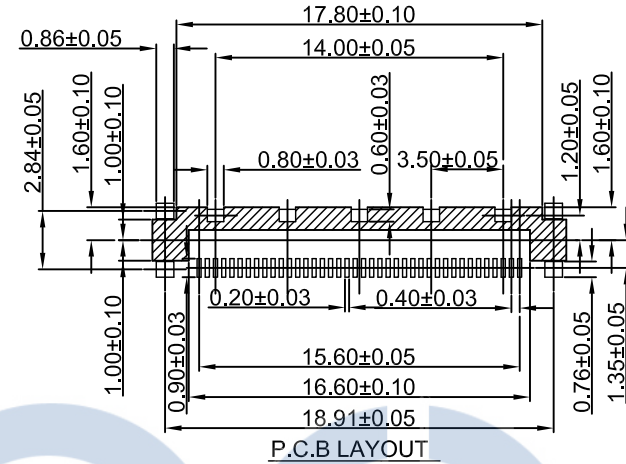


DRAWING FOR CUSTOMER



Mating Condition



P.C.B LAYOUT

NOTES:

- MATERIAL: LCP, UL94V-0, COLOR BLACK
SHELL: COPPER ALLOY
CONTACT: COPPER ALLOY
- CONTACT FINISH: 2= GOLD 3u" MIN PLATING ON CONTACT AREA,
1u" GOLD ON OTHER AREA, BOTH OVER NICKEL,
- SHELL FINISH: 1= 1u" GOLD OVER 50u" NICKEL,

KB405-40 X S R 3 A

Pin No. Version
 Mold No.
R:Right Angle
V:Vertical
S:SMT
D:DIP

包装方式:
T:TUBE (管装)
R:REEL (卷装)
P: PE (袋装)

XYCO PRECISION CONNECTORS

TEL: 0769-8297 9981/2/3 <http://www.XYCO.com.cn>

| | | | | | | | | | | | | | | |
|------------|-----------|-----------------------|------------------------|---------------|-------|-----------------|-------------------------------------|----------------|---------------|---------------|------------|--------------------------|----------------------|---|
| 2014-05-15 | | A | CHANGE HISTORY 變更歷史 | KB405-40XSR3A | Devin | TOLERANCE 公差 | DRAWING 設計者 | Devin | KB405-40XSR3A | | UNIT 單位 | | PRODUCT NAME 產品名稱 | PH 0.40mm LVDS Connector SMT Right Angle Wafer |
| DATE 日期 | VER 版本 | CHANGED NAME 修改後料號 | | | | DRAWING 變更者 | .X=±0.30 .XX=±0.20 .XXX=±0.10 | CHECKED 審查 | Thomas | PART NO. 料號 | mm | PH 0.40mm LVDS Connector | | |
| | | | | | | | | APPROVED 核准 | William | DWG NO. 圖號 | PE1808011A | PH 0.40mm LVDS Connector | | |