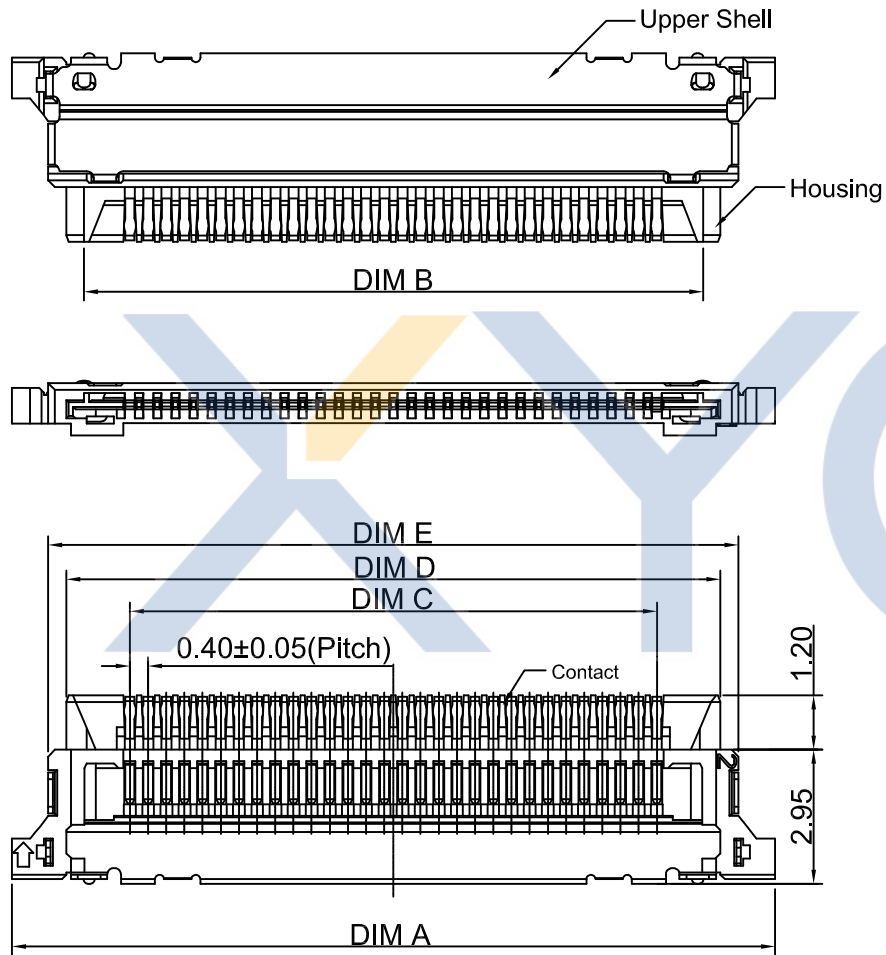


DRAWING FOR CUSTOMER

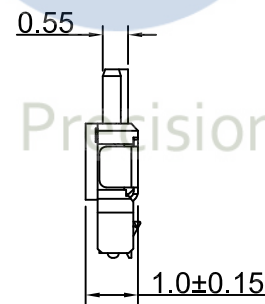


■SPECIFICATION:

- Contact current rating: 0.5A
- Dielectric withstanding voltage: 300V AC 1 minute
- Insulation resistance:100 MΩ
- Contact resistance: 40mΩ
- Material:
- Insulator:LCP,UL94V-0,BLACK
- Contact:Brass C2680-H
- Contact finish:Gold 5u" plated over Nickel
- Upper Shell:Phosphor Bronze
- Upper Shell finish:Tin plated 20-400u" ,over 20u" Nickel.
- Below shell finish: Tin plated 20-400u" ,over 20u" Nickel.

KB401- XX H X A

Pin No. Version
Housing Mold No.



CKT.	A	B	C	D	E
30	16.80	13.64	11.60	14.40	15.20
40	20.80	17.64	15.60	18.40	19.20

XYCO PRECISION CONNECTORS

TEL: 0769-8297 9981/2/3 <http://www.XYCO.com.cn>

DATE 日期	VER 版本	CHANGE HISTORY 變更歷史	CHANGED NAME 修改後料號	DRAWING 變更者	TOLERANCE 公差	DRAWING 設計者	KB401-XXHXA
2014-05-29	A		KB401-XXHXA	譚火秦	.X=±0.30 .XX=±0.20 .XXX=±0.10	譚火秦	KB401-XXHXA
						CHECKED 審查	PART NO. 料號
						APPROVED 核准	DWG NO. 圖號

UNIT 單位	mm	PRODUCT NAME 產品名稱	I-PEX 20346 PH0.40mm LVDS Connector
------------	----	----------------------	-------------------------------------