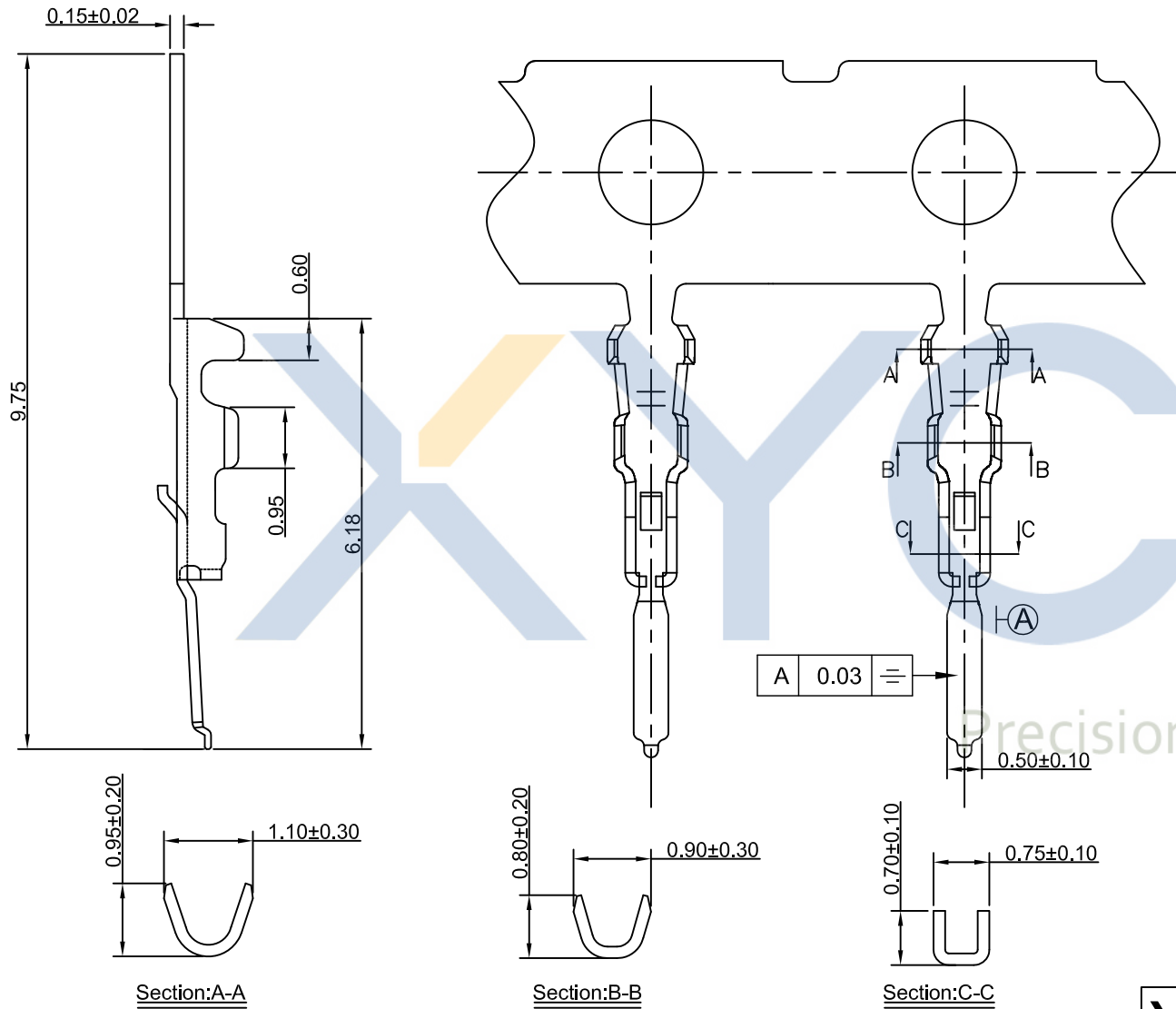


DRAWING FOR CUSTOMER



- SPEC.:
 - Rated Voltage:200V AC,DC
 - Rated Current:1A AC,DC
 - Withstand Voltage:500V AC/minute
 - Contact Resistance:40mΩ max
 - Insulation Resistance:100MΩ min
 - Temperature Range:-40℃~+85℃
 - Applicable wire:AWG#28~32
 - QTY.:20KPCS/Reel
- Terminal
 - Material:Phosphor Bronze C5191
 - Finish:Gold-plated,over Nickel

KB902-XXTXB

- 1:All plated
- 2:Half plated

Version

Mold No.

Terminal

Plating

- 0: Tin-plat
- 1: Gold Plat1u"
- 2: Gold Plat3u"
- 4: Gold Plat4u"

XYCO PRECISION CONNECTORS

TEL: 0769-8297 9981/2/3 <http://www.XYCO.com.cn>

2013-09-06	B	新模端子	KB902-XXTXB	譚火秦	TOLERANCE 公差	DRAWING 設計者	譚火秦	KB902-XXTXB		UNIT 單位	mm	PRODUCT NAME 產品名稱	FI-X PH1.00mm Wire To Board Terminal
2013-05-06	A		KB902-1XTXA	譚火秦	.X=±0.30 .XX=±0.20 .XXX=±0.10	CHECKED 審查	彭太坤	PART NO. 料號					
DATE 日期	VER 版本	CHANGE HISTORY 變更歷史	CHANGED NAME 修改後料號	DRAWING 變更者		APPROVED 核准	譚宏	DWG NO. 圖號	PE2110B				