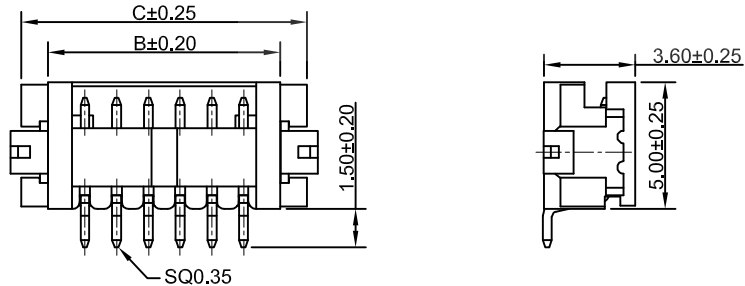
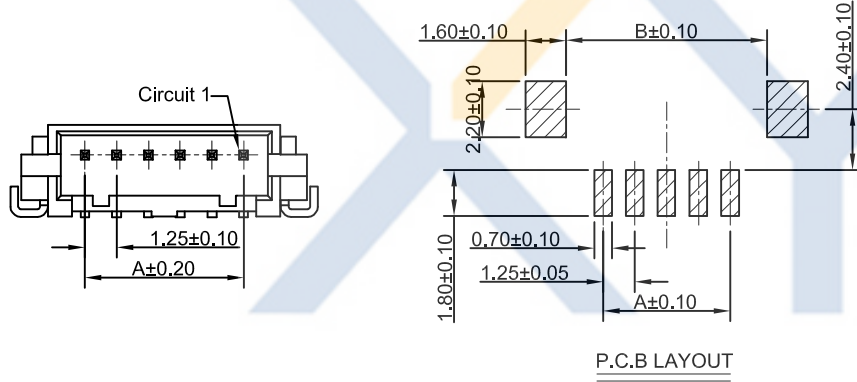
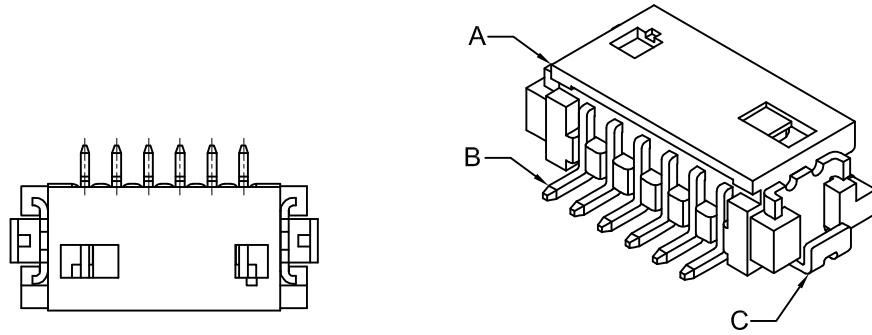


DRAWING FOR CUSTOMER



■SPEC.:

- Rated Voltage:150V AC,DC
- Rated Current:1A AC,DC
- Withstand Voltage:500V AC/minute
- Contact Resistance:30mΩ max
- Insulation Resistance:500MΩ min
- Temperature Range:-25℃~+85℃

■Material:

- Insulator(A):Nylon 6T UL94V-0
Color: Natural
- Contact Pin(B):Brass
Finish:Gold-plated,over Nickel
- Solder Tab(C):Phosphor Bronze
Finish:Gold-plated,over Nickel

KB911- XX X S R 5 A

Pin No.

- T:TUBE 管裝
- R:REEL 卷裝
- P:PE 袋裝

Version
Mold No.
R:Right angle
V:Vertical

S:SMT
D:DIP

Poles	Dimensions(mm)		
	A	B	C
02	1.25	4.15	6.25
03	2.50	5.40	7.50
04	3.75	6.65	8.75
05	5.00	7.90	10.00
06	6.25	9.15	11.25
07	7.50	10.40	12.50
08	8.75	11.65	13.75
09	10.00	12.90	15.00
10	11.25	14.15	16.25
11	12.50	15.40	17.50
12	13.75	16.65	18.75
13	15.00	17.90	20.00
14	16.25	19.15	21.25
15	17.50	20.40	22.50

XYCO 东莞市轩业电子科技有限公司
TEL: 0769-8297 9981/2/3 http://www.XYCO.com.cn

DATE 日期	VER 版本	CHANGE HISTORY 變更歷史	CHANGED NAME 修改後料號	DRAWING 變更者	TOLERANCE 公差	DRAWING 設計者	Devin
2015-06-21	A		KB911-XXXSR5A	Devin	.X=±0.25 .XX=±0.15 .XXX=±0.05	CHECKED 審查	Thomas
						APPROVED 核准	William

PART NO. 料號		UNIT 單位	mm	PRODUCT NAME 產品名稱
DWG NO. 圖號	PE1807039A			DF13 PH1.25mm Wire To Board SMT Right Angle Wafer

