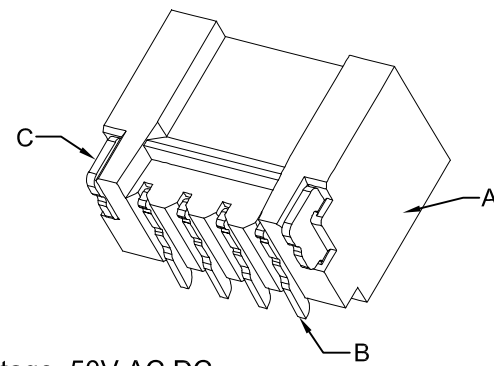
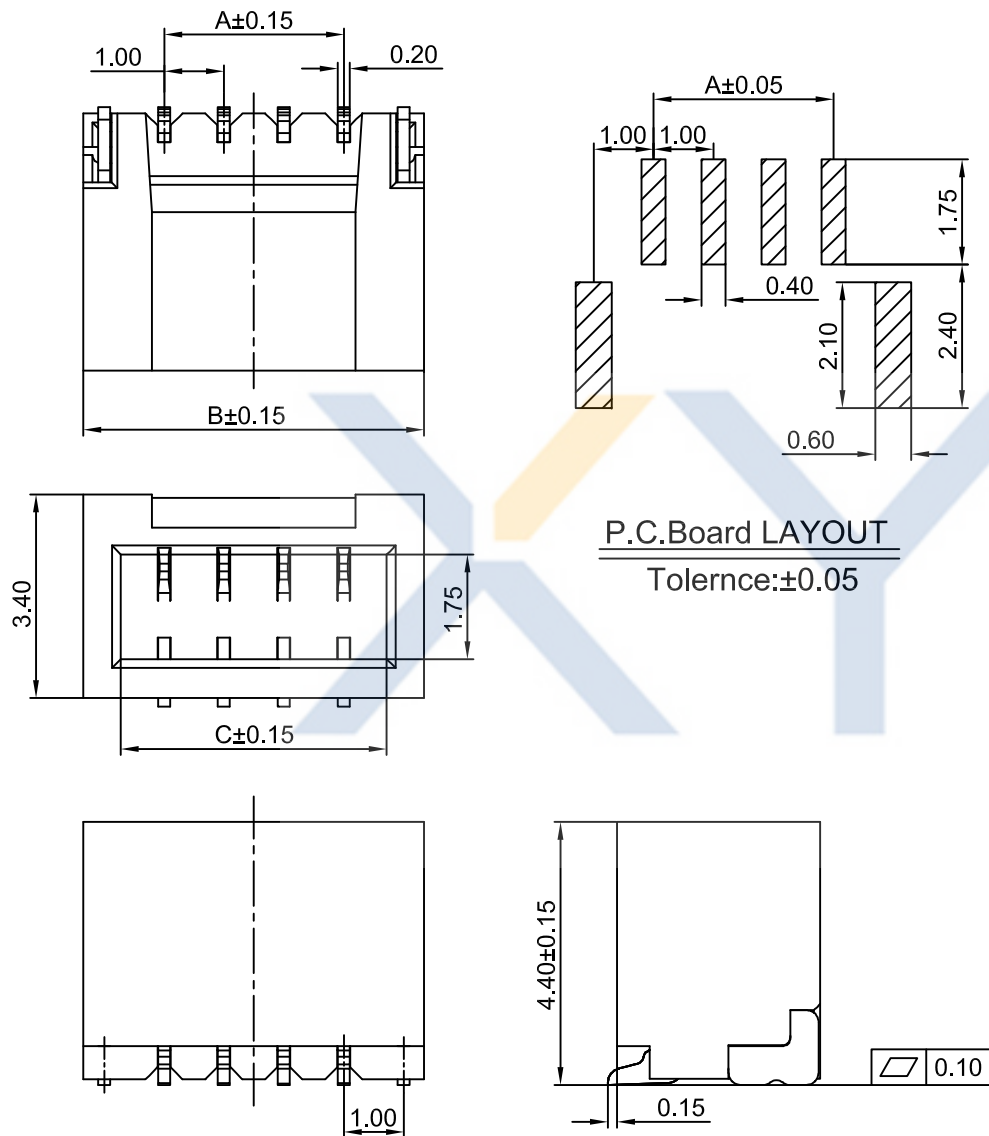


DRAWING FOR CUSTOMER



- SPEC.:
- Rated Voltage: 50V AC,DC
 - Rated Current: 1A
 - Withstand Voltage: 500V AC/minute
 - Contact Resistance: 20mΩ, (MAX.)
 - Insulation Resistance: 100MΩ, (MIN.)
 - Temperature Range: -25°C~+85°C

- Material:
- Insulator(A): Thermal Plastic, UL94V-0
Color:Nature
 - Contact Pin(B): Phosphor Bronze
Finish:Tin-Plated,over Nickel
 - Solder Tab(C):Phosphor Bronze
Finish:Tin-Plated,over Nickel

Poles	Dimensions(mm)			
	A	B	C	D
02	1.00	3.60	2.40	3.50
03	2.00	4.60	3.40	4.50
04	3.00	5.60	4.40	5.50
05	4.00	6.60	5.40	6.50
06	5.00	7.60	6.40	7.50
07	6.00	8.60	7.40	8.50
08	7.00	9.60	8.40	9.50
09	8.00	10.60	9.40	10.50
10	9.00	11.60	10.40	11.50
11	10.00	12.60	11.40	12.50
12	11.00	13.60	12.40	13.50
13	12.00	14.60	13.40	14.50

KB9902-XX X S V 3 A

Pin No. Version
 Mold No.
 R:Right Angle
 V:Vertical

T:TUBE 管裝
 R:REEL 卷裝
 P:PE 袋裝

D:DIP
 S: SMT

XYCO 东莞市轩业电子科技有限公司
 TEL: 0769-8297 9981/2/3 http://www.XYCO.com.cn

2011-03-07	A		KB9902-XXXSV3A	Devin	TOLERANCE 公差	DRAWING 設計者	Devin	KB9902-XXXSV3A	
DATE 日期	VER 版本	CHANGE HISTORY 變更歷史	CHANGED NAME 修改後料號	DRAWING 變更者	.X=±0.30 .XX=±0.20 .XXX=±0.10	CHECKED 審查	Thomas	PART NO. 料號	UNIT 單位
						APPROVED 核准	William	DWG NO. 圖號	mm
1	2	3	4	5	6	7	8	9	PRODUCT NAME 產品名稱

NH PH1.00mm Wire To Board
 SMT Vertical Wafer