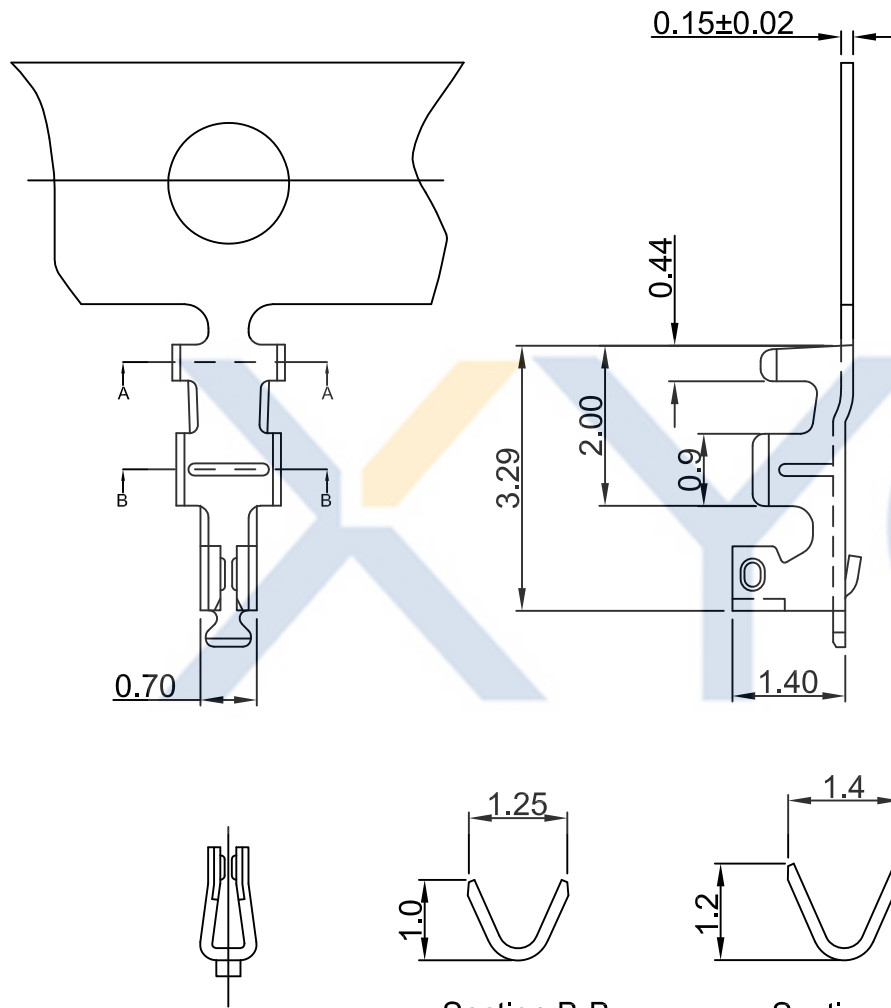


DRAWING FOR CUSTOMER



■SPEC.:

- Voltage Rating: 100V AC/ DC
- Current Rating: 1A AC/ DC
- Withstanding Voltage: 300V AC/Minute
- Contact Resistance: 30mΩ max
- Insulation Resistance: 500MΩ min
- Temperature Range: -25°C~+85°C

■Terminal:

- Material: Phosphor Bronze
- Finish: Tin/Gold-plated, over Nickel
- Applicable wire: AWG#28~32
- QTY.: 10KPCS/Reel

KB9908-X X T 5 A

1: All plated
2: Half plated

Version

Plating

- 0: Tin-plat
- 1: Gold Plat1u"
- 2: Gold Plat3u"
- 3: Gold Plat5u"

Mold No.

Terminal

Section B-B

Section A-A

XYCO 东莞市轩业电子科技有限公司
TEL: 0769-8297 9981/2/3 http://www.XYCO.com.cn

| | | | | | | | | | | | | | | |
|------------|-----------|-----------------------|------------------------|--------------|-------|-----------------|-------------------------------------|---------------|---------------|-------------|------------|--|----------------------|---|
| 2015-03-12 | | A | CHANGE HISTORY 變更歷史 | KB9908-XXT5A | Devin | TOLERANCE 公差 | DRAWING 設計者 | Devin | KB9908-XXT5A | | UNIT 單位 | | PRODUCT NAME 產品名稱 | DF20 PH1.00mm Wire To Board Terminal |
| DATE 日期 | VER 版本 | CHANGED NAME 修改後料號 | | | | DRAWING 變更者 | .X=±0.30 .XX=±0.20 .XXX=±0.10 | CHECKED 審查 | Thomas | PART NO. 料號 | mm | | | |
| | | | | | | | APPROVED 核准 | William | DWG NO. 圖號 | PE1712021A | | | | |