

DRAWING FOR CUSTOMER

■SPEC.:

- Rated Voltage:125V AC,DC
- Rated Current:1A AC,DC
- Withstand Voltage:250V AC/minute
- Contact Resistance:20mΩ max
- Insulation Resistance:100MΩ min
- Temperature Range:-25℃~+85℃

■Housing

- Material:Nylon 66 UL94-V0
- Q'TY:1000PCS

KB915-XXH5A-F1

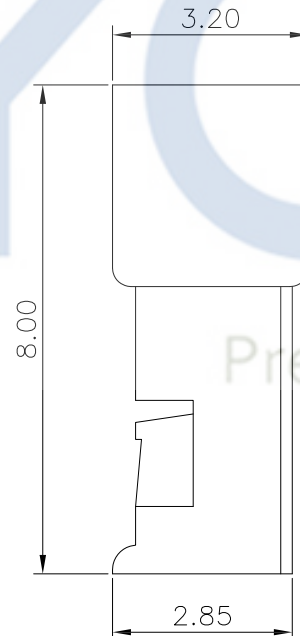
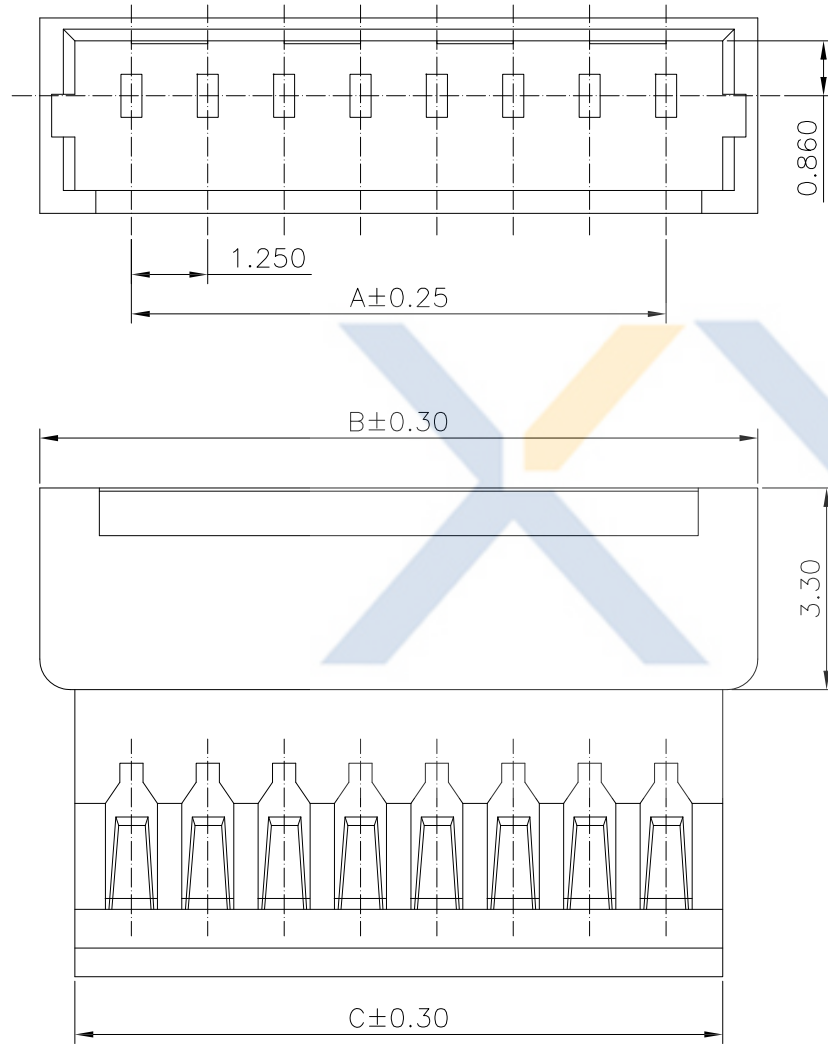
Part No.

Housing

WTW TYPE

Version

Mold No.



Part No	A	B	C
KB915-02H5A-F1	1.25	4.40	3.10
KB915-03H5A-F1	2.50	5.65	4.35
KB915-04H5A-F1	3.75	6.90	5.60
KB915-05H5A-F1	5.00	8.15	6.85
KB915-06H5A-F1	6.25	9.60	8.10
KB915-07H5A-F1	7.50	10.65	9.35
KB915-08H5A-F1	8.75	11.90	10.60
KB915-09H5A-F1	10.00	13.15	11.85
KB915-10H5A-F1	11.25	14.40	13.10
KB915-11H5A-F1	12.50	15.65	14.35
KB915-12H5A-F1	13.75	16.90	15.60
KB915-13H5A-F1	15.00	18.15	16.85
KB915-14H5A-F1	16.25	19.40	18.10
KB915-15H5A-F1	17.50	20.65	19.35
KB915-16H5A-F1	18.75	21.90	20.60

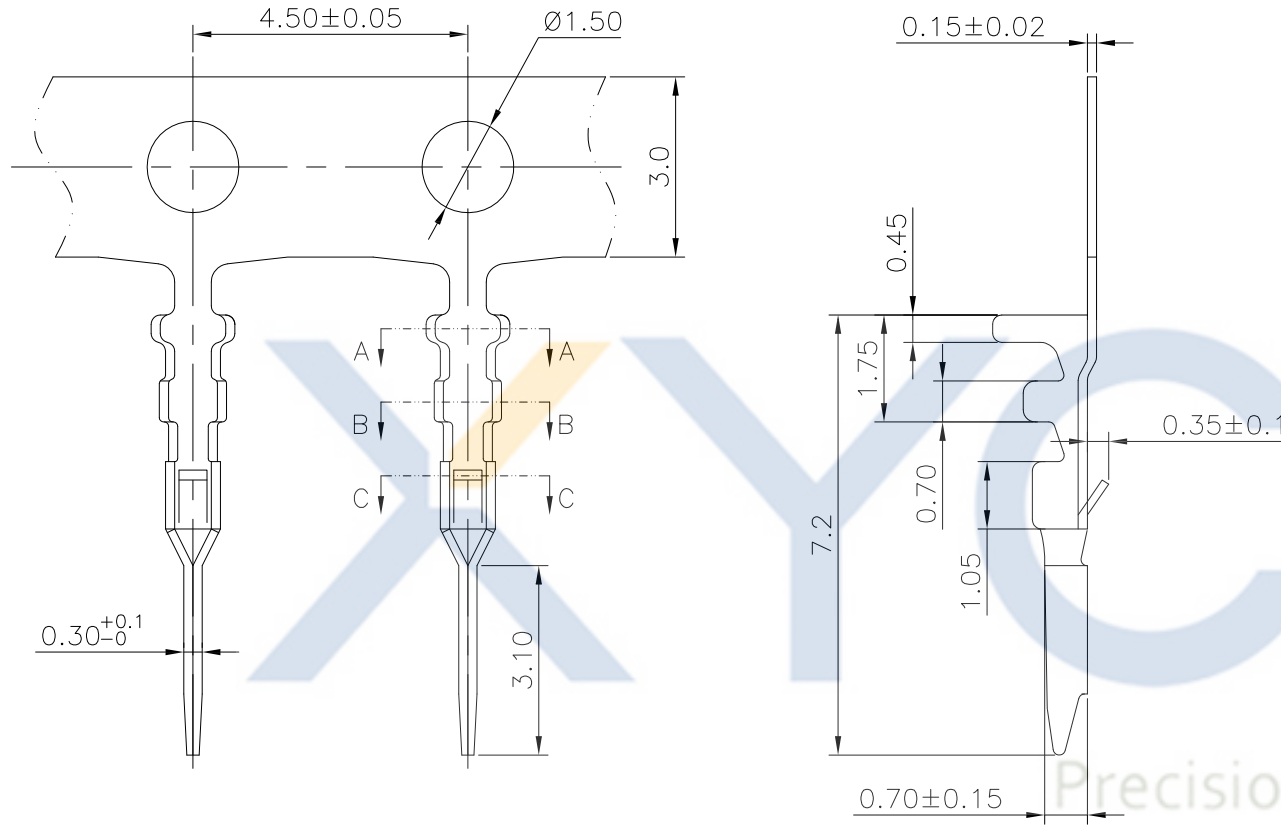
XYCO PRECISION CONNECTORS

TEL: 0769-8297 9981/2/3 <http://www.XYCO.com.cn>

					TOLERANCE 公差	DRAWING 設計者	John	KB915-XXH5A-F1			
2014-07-28	A	CHANGE HISTORY 變更歷史	KB915-XXH5A-F1	John	.X=±0.30 .XX=±0.20 .XXX=±0.10	CHECKED 審查	Thomas	PART NO. 料號			
DATE 日期	VER 版本					CHANGED NAME 修改後料號	DRAWING 變更者	APPROVED 核准	William	DWG NO. 圖號	PE1803016A

UNIT 單位	mm	PRODUCT NAME 產品名稱	MOLEX PH1.25mm 51047 Wire To Wire Housing

DRAWING FOR CUSTOMER



- SPEC.:
- Rated Voltage:125V AC,DC
 - Rated Current:1A AC,DC
 - Withstand Voltage:250V AC/minute
 - Contact Resistance:20mΩ max
 - Insulation Resistance:100MΩ min
 - Temperature Range:-25°C~+85°C
 - Applicable wire:AWG#28~#32
 - Insulation O.D.:1.00mm MAX

- Terminal
- Material:Phosphor Bronze
 - Finish: Tin-plated, over Nickel
 - QTY.:20000PCS/Reel

KB915-1 X T 5 A-F1

Plating

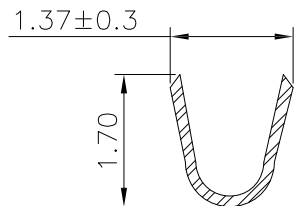
- 0:Sn-plated
- 1:Au-plated 1u"
- 2:Au-plated 3u"
- 3:Au-plated 5u"

WTW TYPE

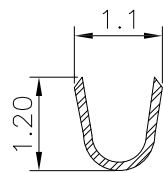
Version

Mold No.

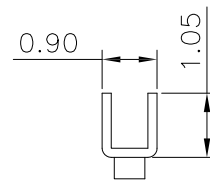
Terminal



SECTION A-A



SECTION B-B



SECTION C-C

XYCO PRECISION CONNECTORS

TEL: 0769-8297 9981/2/3 <http://www.XYCO.com.cn>

				TOLERANCE 公差		DRAWING 設計者		John		KB915-1XT5A-F1						
2014-07-28		A		.X=±0.30 .XX=±0.20 .XXX=±0.10		CHECKED 審查		Thomas		PART NO. 料號		UNIT 單位		mm		
DATE 日期	VER 版本	CHANGE HISTORY 變更歷史	CHANGED NAME 修改後料號	DRAWING 變更者	APPROVED 核准		William		DWG NO. 圖號		PE1803017A		PRODUCT NAME 產品名稱		MOLEX PH1.25mm 51047 Wire To Wire Terminal	