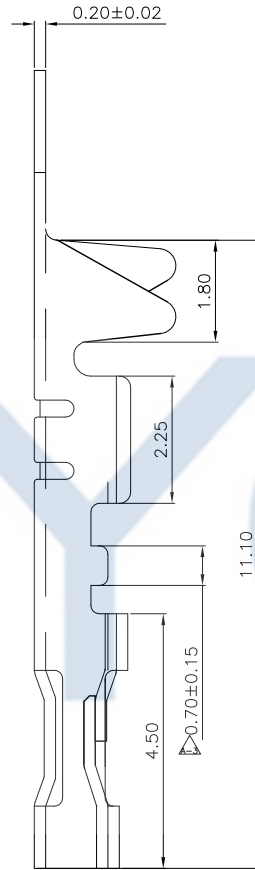
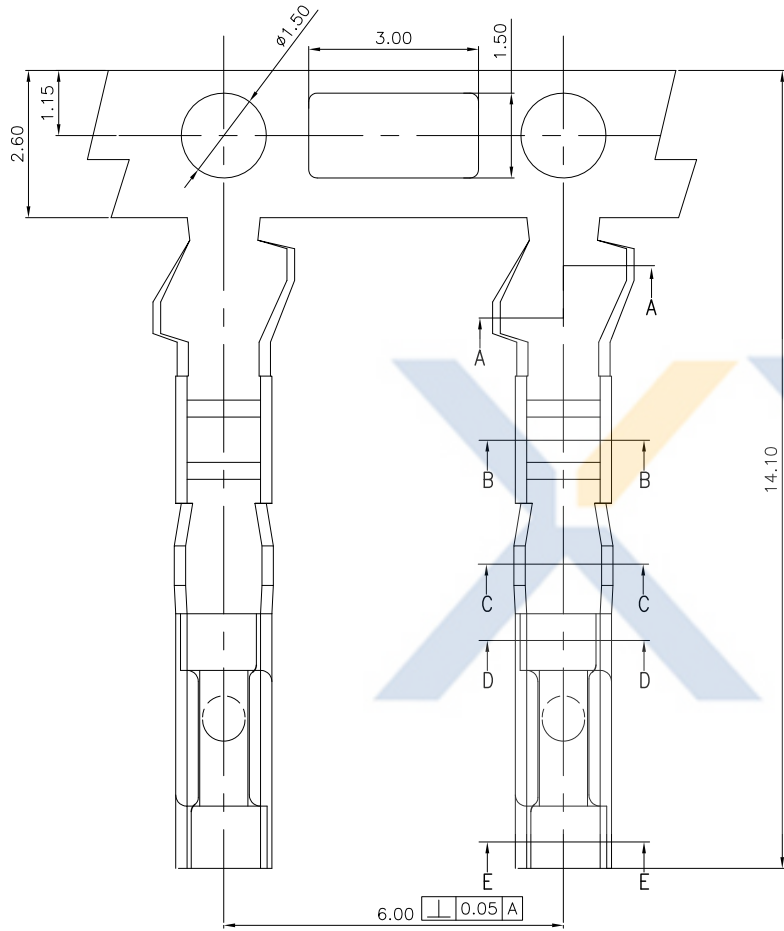


# DRAWING FOR CUSTOMER



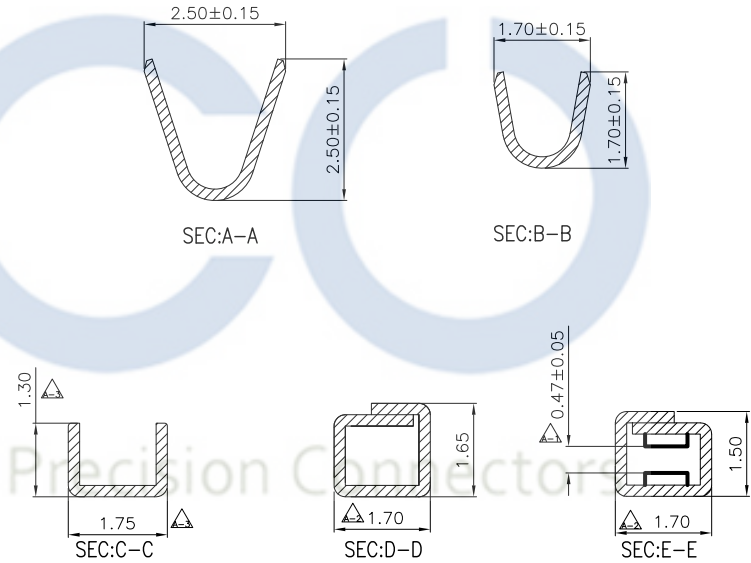
KB951-**X** **X** **T** **1** **A**

1: All plated  
2: Half plated

Plating  
0: Tin-plat  
1: Gold Plat1u"  
2: Gold Plat3u"  
3: Gold Plat5u"  
10: Gold Plat10u"  
15: Gold Plat15u"

Version  
Mold No.  
Terminal

- SPEC.:
  - Rated Voltage: 250V AC,DC
  - Rated Current: 3A AC,DC
  - Withstand Voltage: 800V AC/minute
  - Contact Resistance: 20mΩ (MAX.)
  - Insulation Resistance: 1000MΩ (MIN.)
  - Temperature Range: -25°C~+85°C
- Terminal:
  - Material: Brass
  - Finish: Gold, Tin Plated Over Nickel Plated
  - Applicable wires: AWG#22-28



## XYCO PRECISION CONNECTORS

TEL: 0769-8297 9981/2/3 <http://www.XYCO.com.cn>

				TOLERANCE 公差		DRAWING 設計者		John		KB951- <b>XXT1A</b>					
2014-10-16		A				CHECKED 審查		Thomas		PART NO. 料號		UNIT 單位		mm	
DATE 日期	VER 版本	CHANGE HISTORY 變更歷史	CHANGED NAME 修改後料號	DRAWING 變更者	.X=±0.30 .XX=±0.20 .XXX=±0.10	APPROVED 核准	William	DWG NO. 圖號	PE2108A	PRODUCT NAME 產品名稱	DUPONT PH2.54mm Wire To Board Terminal				