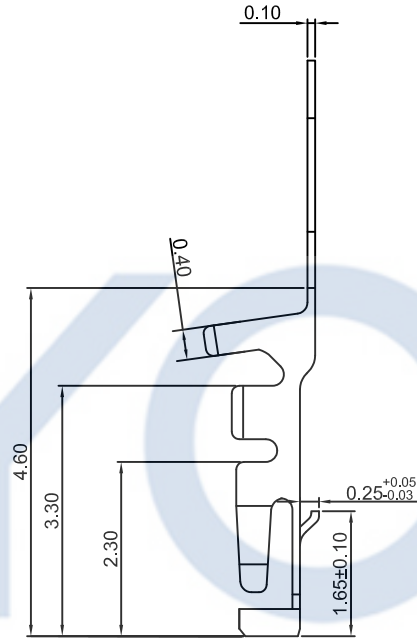
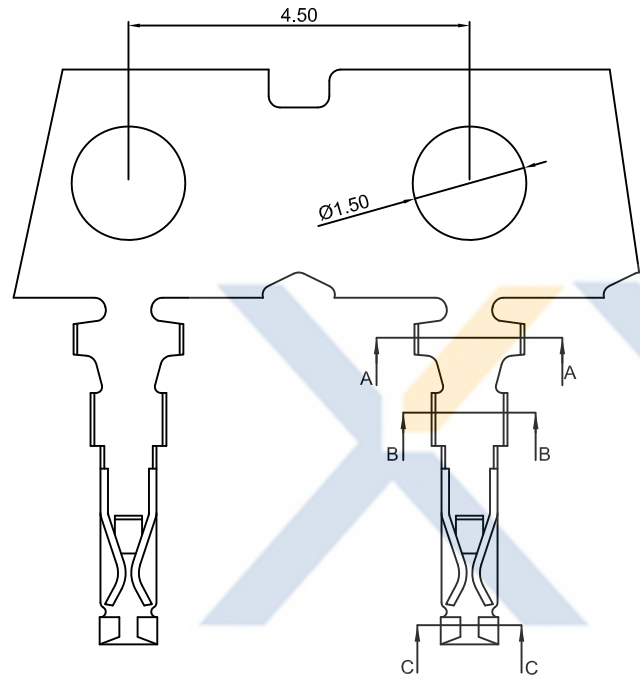


DRAWING FOR CUSTOMER



- SPEC.:
- Rated Voltage:50V AC,DC
 - Rated Current:1A AC,DC
 - Withstand Voltage:500V AC/minute
 - Contact Resistance:20mΩ max
 - Insulation Resistance:100MΩ min
 - Temperature Range:-25℃~+85℃

- Notes:
- Material: Phosphor Bronze C5191
 - Finish:Gold plated
 - Applicable wire:AWG#32~#28
 - QTY.:15KPCS/Reel

KB9901-1 X T 1 C

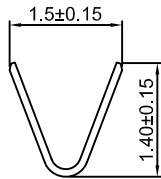
Plating

- 0: Tin-plat
- 1: Gold Plat1u"
- 2: Gold Plat3u"
- 3: Gold Plat5u"

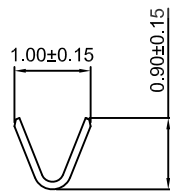
Version

Mold No.

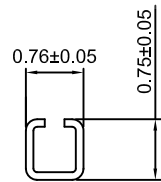
Terminal



Section:A-A



Section:B-B

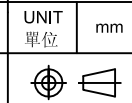


Section:C-C

XYCO PRECISION CONNECTORS

TEL: 0769-8297 9981/2/3 <http://www.XYCO.com.cn>

					TOLERANCE 公差	DRAWING 設計者	John	KB9901-1XT1C	
2013-09-28	C	尺寸修改	KB9901-1XT1C	John	.X=±0.30	CHECKED 審查	Thomas	PART NO. 料號	
DATE 日期	VER 版本	CHANGE HISTORY 變更歷史	CHANGED NAME 修改後料號	DRAWING 變更者	.XX=±0.20	APPROVED 核准	William	DWG NO. 圖號	PE4201C
1	2	3	4	5	6	7	8	9	



UNIT
單位

mm

PRODUCT NAME
產品名稱

ACES 88252 PH1.0mm Wire To Board
Terminal

1 2 3 4 5 6 7 8 9