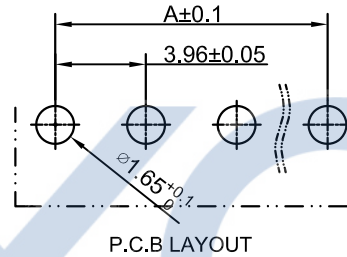
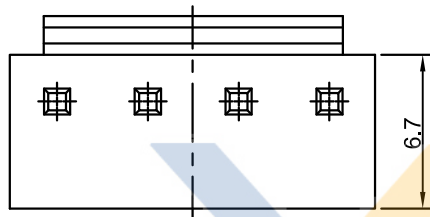


DRAWING FOR CUSTOMER

- SPEC.:
- Rated Voltage:250V AC,DC
 - Rated Current:7A AC,DC
 - Withstand Voltage:1500V AC/minute
 - Contact Resistance:10mΩ max
 - Insulation Resistance:1000MΩ min
 - Temperature Range:-25℃~+85℃

- Material
- Insulator:Nylon66 UL94-V0
 - Contact:Brass

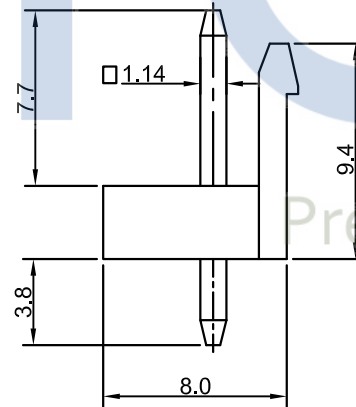
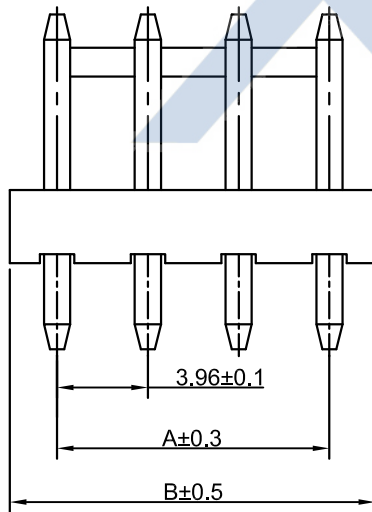


KB962-XX X D V 5 A

Pin No. Version
 包裝方式: Mold No.

T:TUBE (管裝)
 R:REEL (卷裝)
 P: PE (袋裝)

R:Right Angle
 V:Vertical
 S:SMT
 D:DIP



Poles	A	B
2	3.96	8.02
3	7.92	11.98
4	11.88	15.94
5	15.84	19.90
6	19.80	23.86
7	23.76	27.82
8	27.72	31.78
9	31.68	35.74
10	35.64	39.70
11	39.60	43.66
12	43.56	47.62

XYCO PRECISION CONNECTORS

TEL: 0769-8297 9981/2/3 <http://www.XYCO.com.cn>

					TOLERANCE 公差	DRAWING 設計者	John	KB962-XXXDV5A			
2016-11-18	A	CHANGE HISTORY 變更歷史	KB962-XXXDV5A	John	.X=±0.30	CHECKED 審查	Thomas	PART NO. 料號			
DATE 日期	VER 版本				.XX=±0.20	APPROVED 核准	William	DWG NO. 圖號	PE1712017A	UNIT 單位	mm
					.XXX=±0.10					PRODUCT NAME 產品名稱	VH3.96mm Wire To Board DIP Vertical Wafer

