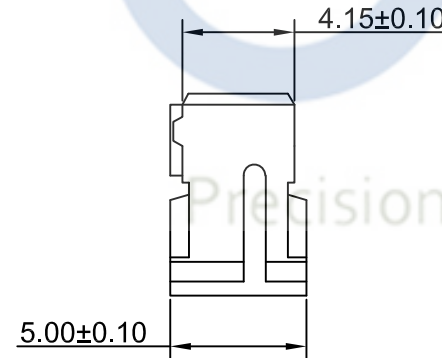
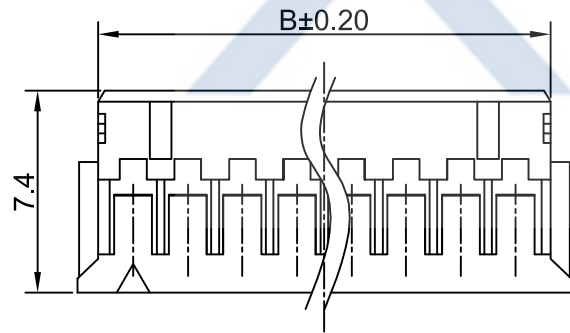
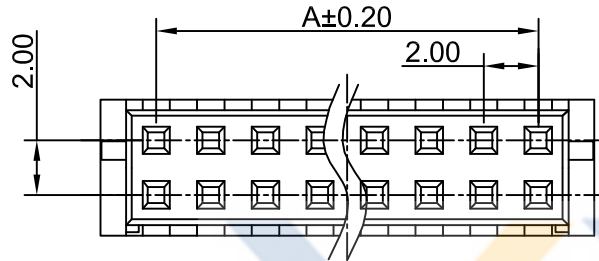


# DRAWING FOR CUSTOMER

- SPEC.:
- Rated Voltage:250V AC,DC
- Rated Current:3A AC,DC
- Withstand Voltage:800V AC/minute
- Contact Resistance:20mΩ max
- Insulation Resistance:1000MΩ min
- Temperature Range:-25℃~+85℃
- Housing
- Material:PA66 UL94-V0



KB932-D XX H 6 A

Double row  
Pin No.  
Housing

Version  
Mold No.

Poles	Dimension	
	A	B
2×5	8.00	10.70
2×6	10.00	12.70
2×7	12.00	14.70
2×8	14.00	16.70
2×9	16.00	18.70
2×10	18.00	20.70
2×11	20.00	22.70
2×12	22.00	24.70
2×13	24.00	26.70
2×14	26.00	28.70
2×15	28.00	30.70
2×16	30.00	32.70
2×17	32.00	34.70
2×18	34.00	36.70
2×19	36.00	38.70
2×20	38.00	40.70

## XYCO PRECISION CONNECTORS

TEL: 0769-8297 9981/2/3 <http://www.XYCO.com.cn>

2016-11-18		A	CHANGE HISTORY 變更歷史	KB932-DXXH6A	John	TOLERANCE 公差	DRAWING 設計者	John	KB932-DXXH6A		UNIT 單位		PRODUCT NAME 產品名稱	JST PHD PH2.0mm Wire To Board Housing
DATE 日期	VER 版本	CHANGED NAME 修改後料號				DRAWING 變更者	.X=±0.30 .XX=±0.20 .XXX=±0.10	CHECKED 審查	Thomas	PART NO. 料號	mm	TEL: 0769-8297 9981/2/3 <a href="http://www.XYCO.com.cn">http://www.XYCO.com.cn</a>		
								APPROVED 核准	William	DWG NO. 圖號	PE1807035A			