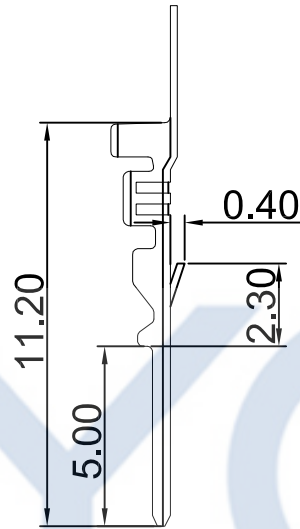
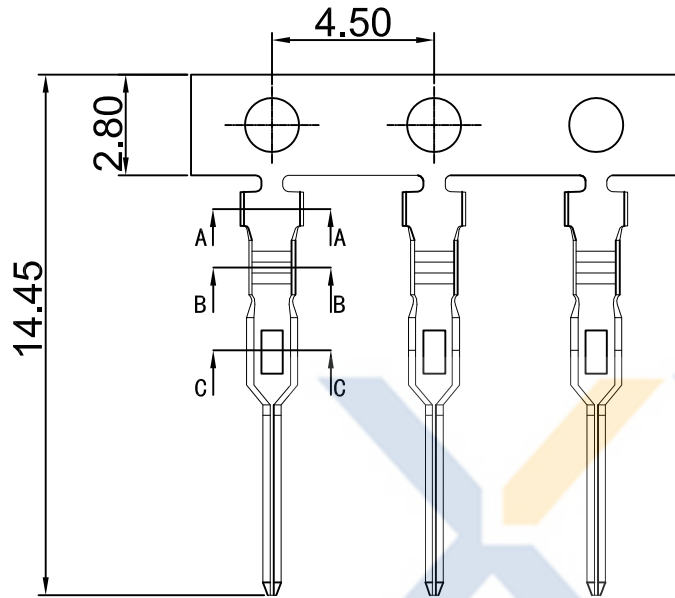


DRAWING FOR CUSTOMER



■SPEC.:

- Rated Voltage:100V AC,DC
- Rated Current:2A AC,DC
- Withstand Voltage:800V AC/minute
- Contact Resistance:20mΩ max
- Insulation Resistance:1000MΩ min
- Temperature Range:-25℃~+85℃

■Terminal:

- Material:Phosphor Bronze
- Finish:Tin/Gold-plated ,over Nickel
- Applicable wire:AWG#26~30

KB933-X X T 6 A-F1

- 1:All plated
- 2:Half plated

Plating

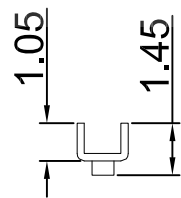
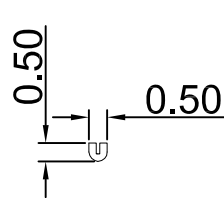
- 0: Tin-plat
- 1: Gold Plat1u"
- 2: Gold Plat3u"
- 3: Gold Plat5u"

Version

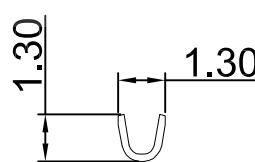
Version

Mold No.

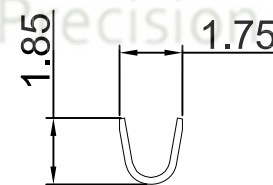
Terminal



Section:C-C



Section:B-B



Section:A-A

XYCO 东莞市轩业电子科技有限公司
TEL: 0769-8297 9981/2/3 <http://www.XYCO.com.cn>

DATE 日期	VER 版本	CHANGE HISTORY 變更歷史	CHANGED NAME 修改後料號	DRAWING 變更者	TOLERANCE 公差	DRAWING 設計者	Devin	KB933-XXT6A-F1
2016-08-17	A		KB933-XXT6A-F1	Devin	.X=±0.30 .XX=±0.20 .XXX=±0.10	CHECKED 審查	Thomas	PART NO. 料號
						APPROVED 核准	William	DWG NO. 圖號
								PE4604A

UNIT 單位	mm	PRODUCT NAME 產品名稱	PHR PH2.00mm Wire To Wire Terminal-Male
------------	----	----------------------	--