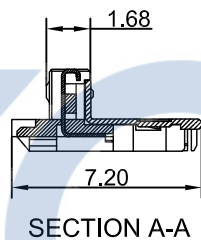
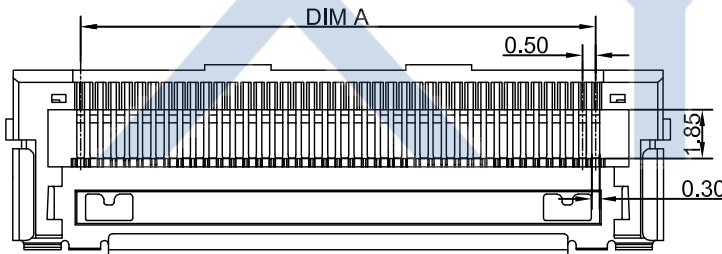
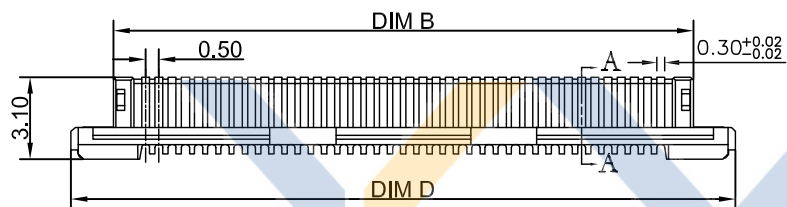
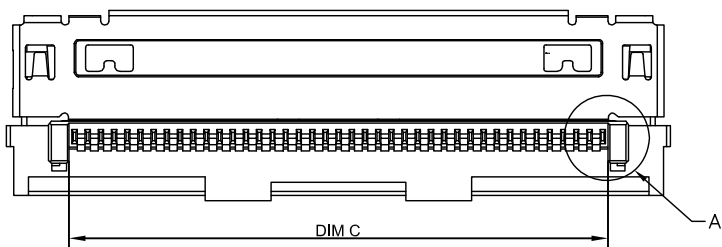


# DRAWING FOR CUSTOMER



■ Specifications :

- Current : Rating : 0.3A AC/DC
- Voltage Rating : 50V AC/DC
- Contact Resistance : 80mΩ Max.
- Dielectric Withstanding Voltage: 150V AC/DC
- Insulation Resistance: 100MΩ MIN.
- Operating Temperature: -55°C to +85°C

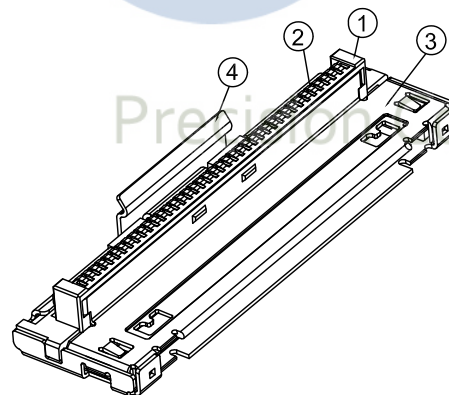
KB502-X X H X A

Pin No.

Version

Housing

Mold No.



Pin No.	A	B	C	D
20P	9.50	12.00	10.30	15.10
30P	14.50	17.00	15.30	20.10
40P	19.50	22.00	20.30	25.10

4	UPPER SHELL	1	STAINLESS STEEL	
3	LOWER SHELL	1	COPPER ALLOY	
2	CONTACT	40	COPPER ALLOY	AU PLATED
1	HOUSING	1	THERMOPLASTIC	COLOR:BLACK,UL 94V-0
ITEM	DESC.	Q'TY	MATERIAL	REMARK

DATE	VER	CHANGE HISTORY	CHANGED NAME	DRAWING	TOLERANCE	DRAWING	DESIGNER	PART NO.	UNIT	mm	PRODUCT NAME	WIRE TO BOARD CONNECTOR
日期	版本	變更歷史	修改後料號	變更者	公差	設計者		料號	單位		產品名稱	
2013-05-27	A		KB502-XXHXA	譚火秦	.X=±0.30 .XX=±0.20 .XXX=±0.10	譚火秦		KB502-XXHXA			HONDA LVC PH0.5mm (H=2.4mm)	Wire To Board Connector
						楊峰		PE1001A	mm			
						譚宏						

## XYCO PRECISION CONNECTORS

TEL: 0769-8297 9981/2/3 <http://www.XYCO.com.cn>

